



VINEND

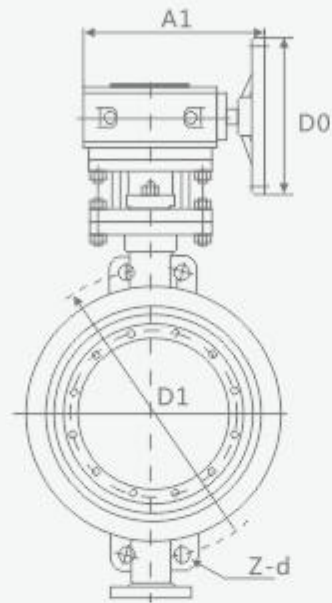


BUTTERFLY VALVE SERIES 蝶阀系列

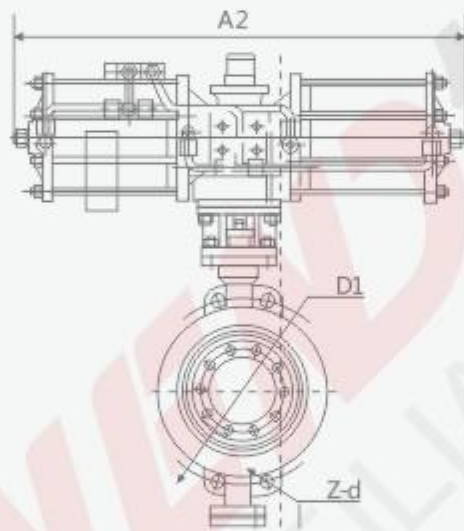
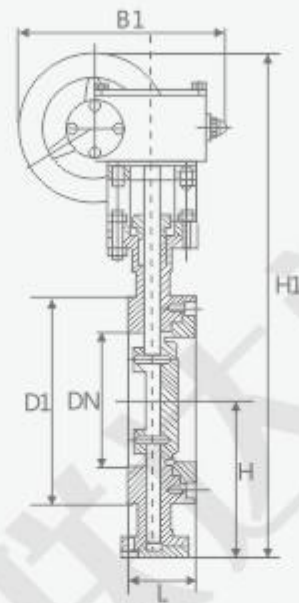
B

蝶阀系列
Butterfly Valve Series

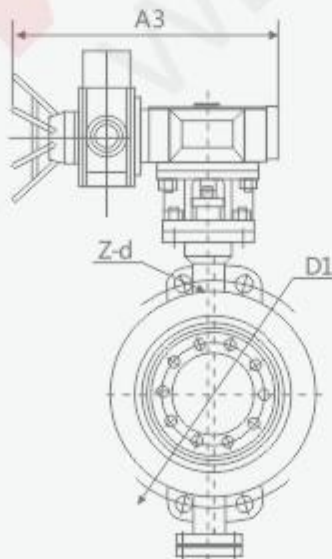
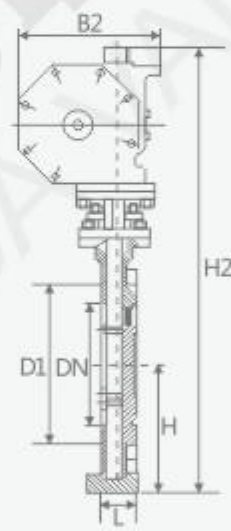
D373H/F/Y/W 国标对夹式多层次金属硬密封蝶阀
D373H/F/Y/W GB Wafer Type Multi-level Metal Hard Seal Butterfly Valve



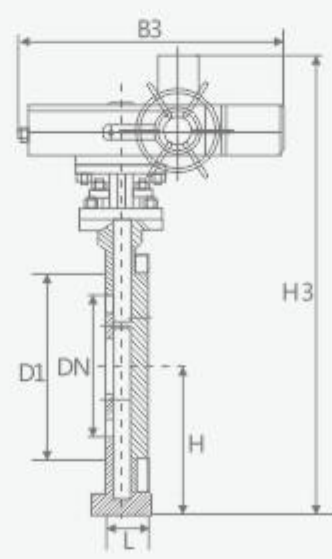
H
D373 F
Y



H
D673 F
Y



H
D973 F
Y



D373H/F/Y/W 国标对夹式多层次金属硬密封蝶阀 D373H/F/Y/W GB Wafer Type Multi-level Metal Hard Seal Butterfly Valve

B

蝶阀系列
Butterfly Valve Series

PN6-PN10 对夹式多层次金属硬密封蝶阀

DN	结构长度L Structure length L	法兰尺寸 (参考值) Flange size (reference value)						外形尺寸 (参考值) Dimensions (reference value)			
		H	PN0.6Mpa			PN1.0Mpa			D373H		
毫米 mm	短 short		D1	D2	Z-d	D1	D2	Z-d	H1	A1	B1
40	33	107	100	78	4-14	110	84	4-18	330	180	200
50	43	112	110	88	4-14	125	99	4-18	350	180	200
65	46	115	130	108	4-14	145	118	4-18	370	180	200
80	49	125	150	124	4-18	160	132	8-18	380	180	200
100	56	138	170	144	4-18	180	156	8-18	420	180	200
125	64	164	200	174	8-18	210	184	8-18	460	180	200
150	70	175	225	199	8-18	240	211	8-22	555	270	280
200	71	215	280	254	8-18	295	266	8-22	780	400	425
250	76	243	335	309	12-18	350	319	12-22	840	400	425
300	83	285	395	363	12-22	400	370	12-22	995	450	560
350	92	320	445	413	12-22	460	429	16-22	1050	450	560
400	102	350	495	463	16-22	515	480	16-26	1220	535	580
450	114	350	550	518	16-22	565	530	20-26	1280	535	580
500	127	380	600	568	20-22	620	582	20-26	1365	535	580
600	154	435	705	667	20-26	725	682	20-30	1460	570	660
700	165	480	810	772	24-26	840	794	24-30	1520	750	550
800	190	530	920	878	24-30	950	901	24-33	1710	750	550
900	203	595	1020	978	24-30	1050	1001	28-33	1810	750	550
1000	216	650	1120	1078	28-30	1160	1112	28-36	1900	900	750
1200	254	810	1340	1295	32-33	1380	1328	32-39	-	-	-
1400	279	940	1560	1510	36-36	1590	1530	36-42	-	-	-
1600	318	1050	1760	1710	40-36	1820	1750	40-48	-	-	-

D373H/F/Y/W 国标对夹式多层次金属硬密封蝶阀
D373H/F/Y/W GB Wafer Type Multi-level Metal Hard Seal Butterfly Valve

PN16/PN25 对夹式多层次金属硬密封蝶阀

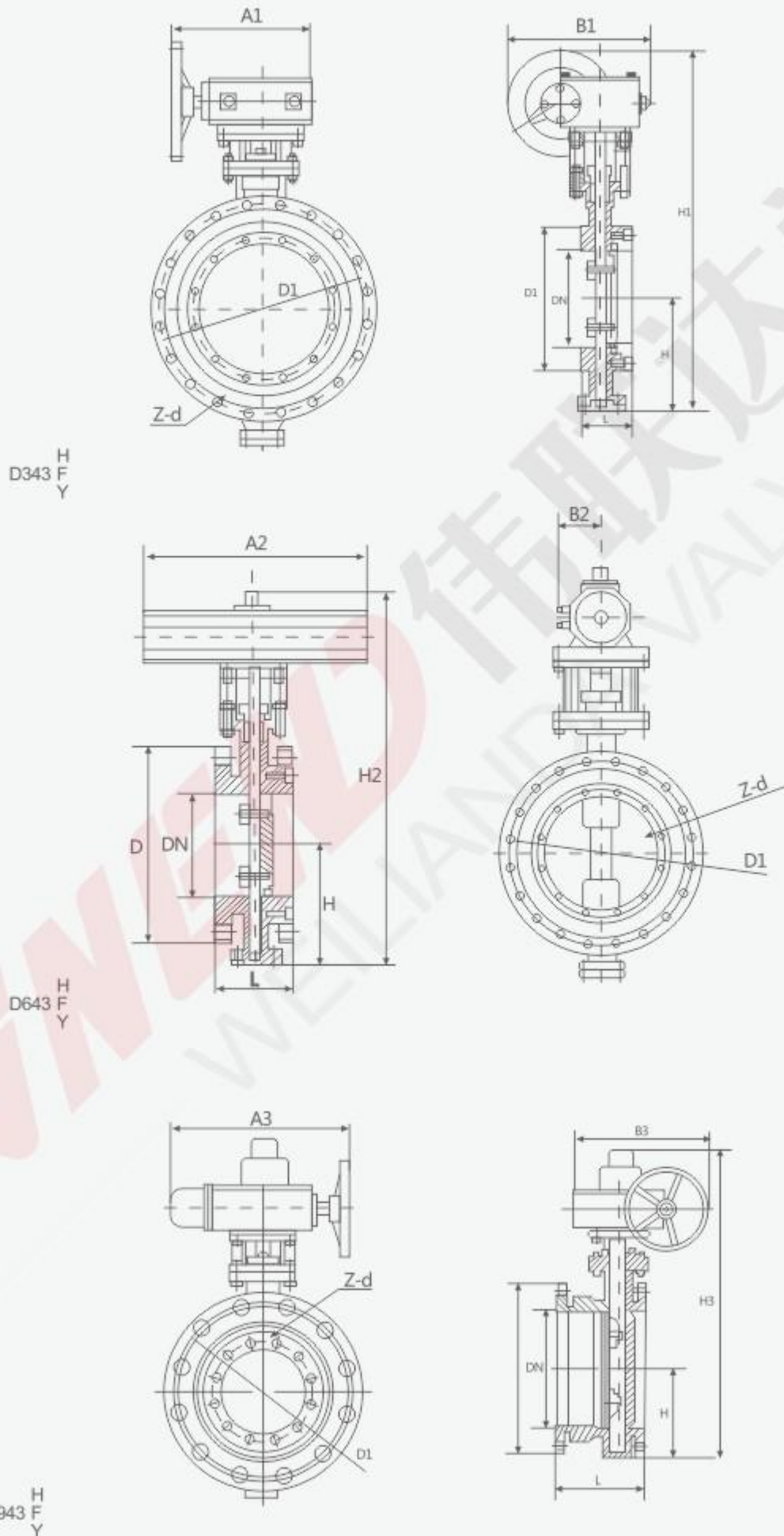
(PN1.6/2.5/4.0MPa)

DN	结构长度L Structure length L	法兰尺寸 (参考值) Flange size (reference value)							结构长度L Structure length L	外形尺寸 (参考值) Dimensions (reference value)					
		H	PN1.6Mpa			PN2.5Mpa				PN4.0Mpa			D373H		
			毫米 mm	短 short	D1	D2	Z-d	D1		D2	Z-d	长 long	D1	D2	Z-d
40	33	107	110	84	4-18	110	84	4-18	33	110	85	4-18	330	180	200
50	43	112	125	99	4-18	125	99	4-18	43	125	100	4-18	350	180	200
65	46	115	145	118	4-18	145	118	8-18	46	145	120	8-18	370	180	200
80	49	125	160	132	8-18	160	132	8-18	64	160	135	8-18	380	180	200
100	56	138	180	156	8-18	190	156	8-22	64	190	160	8-22	420	180	200
125	64	164	210	184	8-18	220	184	8-26	70	220	188	8-26	460	180	200
150	70	175	240	211	8-22	250	211	8-26	76	250	218	8-26	555	270	280
200	71	215	295	266	12-22	310	274	12-26	89	320	282	12-30	780	400	425
250	76	243	355	319	12-26	370	330	12-30	114	385	345	12-33	840	400	425
300	83	285	410	370	12-26	430	389	16-30	114	450	408	16-33	995	450	560
350	92	320	470	429	16-26	490	448	16-33	127	510	465	16-36	1050	450	560
400	102	350	525	480	16-30	550	503	16-36	140	585	535	16-39	1220	535	580
450	114	350	585	548	20-30	600	548	20-36	152	610	560	20-39	1280	535	580
500	127	380	650	609	20-33	660	609	20-36	152	670	612	20-42	1365	535	580
600	154	435	770	720	20-36	770	720	20-39	178	795	730	20-48	1460	570	660
700	165	480	840	794	24-36	875	820	24-42	229	900	835	24-48	1520	750	550
800	190	530	950	901	24-39	990	928	24-48	241	1030	960	24-56	1710	750	550
900	203	595	1050	1001	28-39	1090	1028	28-48	-	-	-	-	1810	750	550
1000	216	650	1170	1112	28-42	1210	1140	28-56	-	-	-	-	1900	900	750
1200	254	810	1390	1328	32-48	1420	1350	32-55	-	-	-	-	-	-	-
1400	279	940	1590	1530	36-48	1640	1560	36-60	-	-	-	-	-	-	-
1600	318	1060	1820	1750	40-56	-	-	-	-	-	-	-	-	-	-

D343H/F/Y/W国标法兰式多层次金属硬密封蝶阀
D343H/F/Y/W GB flange type multi-level metal hard seal butterfly valve

B

蝶阀系列
Butterfly Valve Series



D343H/F/Y/W 国标法兰式多层次金属硬密封蝶阀
D343H/F/Y/W GB flange type multi-level metal hard seal butterfly valve

PN6/PN10/PN16 法兰式多层次金属硬密封蝶阀

DN	结构长度L Structure length L	法兰尺寸 (参考值) Flange size (reference value)													外形尺寸 (参考值) Dimensions (reference value)		
		H	PN0.6Mpa				PN1.0Mpa				PN1.6Mpa				D343H		
			毫米 mm	短 short	D	D1	D2	Z-d	D	D1	D2	Z-d	D	D1	D2	Z-d	H1
40	106	107	130	100	80	4-14	150/145	110	85	4-18	150/145	110	84	4-18	330	180	200
50	108	112	140	110	90	4-14	165/160	125	100	4-18	165/160	125	99	4-18	350	180	200
65	112	115	160	130	110	4-14	185/180	145	120	4-18	185/180	145	118	4-18	370	180	200
80	114	120	190/185	150	125	4-18	200/195	160	135	8-18	200/195	160	132	8-18	380	180	200
100	127	138	210/205	170	145	4-18	220/215	180	155	8-18	220/215	180	156	8-18	420	180	200
125	140	164	240/235	200	175	8-18	250/245	210	185	8-18	250/245	210	184	8-18	460	180	200
150	140	175	265/260	225	200	8-18	285/280	240	210	8-22	285/280	240	211	8-23	555	270	280
200	152	200	320/315	280	255	8-18	340/335	295	265	8-22	340/335	295	266	12-23	760	400	425
250	165	243	375/370	335	310	12-18	395/390	350	320	12-22	405	355	319	12-26	830	400	425
300	178	250	440/435	395	362	12-22	445/440	400	368	12-22	460	410	370	12-26	895	450	560
350	190	280	490/485	445	412	12-22	505/500	460	428	16-22	520	470	429	16-26	950	450	560
400	216	305	540/535	495	462	16-22	565	515	482	16-26	580	525	480	16-30	1190	535	580
450	222	350	595/590	550	518	16-22	615	565	532	20-26	640	585	530	20-30	1255	535	580
500	229	380	645/640	600	568	20-22	670	620	585	20-26	715/705	650	582	20-34	1305	535	580
600	267	445	755	705	670	20-26	780	725	685	20-30	840	770	682	20-41	1340	570	660
700	292	458	860	810	775	24-26	895	840	800	24-30	910	840	794	24-41	1520	750	550
800	318	530	975	920	880	24-30	1015/1010	950	805	24-33	1025/1020	950	901	24-41	1710	750	550
900	330	580	1075	1020	980	24-30	1115/1110	1050	1005	28-33	1125/1120	1050	1001	28-41	1810	750	550
1000	410	650	1175	1120	1080	28-30	1230/1220	1160	1110	28-36	1255	1170	1112	28-48	1960	900	750
1200	470	765	1405/1400	1340	1290	32-34	1455/1450	1380	1330	32-41	1485	1390	1328	32-54	-	-	-
1400	530	890	1630/1620	1560	1510	36-36	1675	1590	1530	36-48	1685	1590	1530	36-54	-	-	-
1600	600	1010	1830/1820	1760	1710	40-36	1915	1820	1750	40-54	1930	1820	1750	40-58	-	-	-
1800	670	1200	2045	1970	1920	44-42	2115	2020	1950	44-54	2130	2020	1950	44-58	-	-	-
2000	760	1330	2265	2180	2125	48-48	2325	2230	2150	48-54	2345	2230	2150	48-60	-	-	-

D343H/F/Y/W国标法兰式多层次金属硬密封蝶阀 D343H/F/Y/W GB flange type multi-level metal hard seal butterfly valve

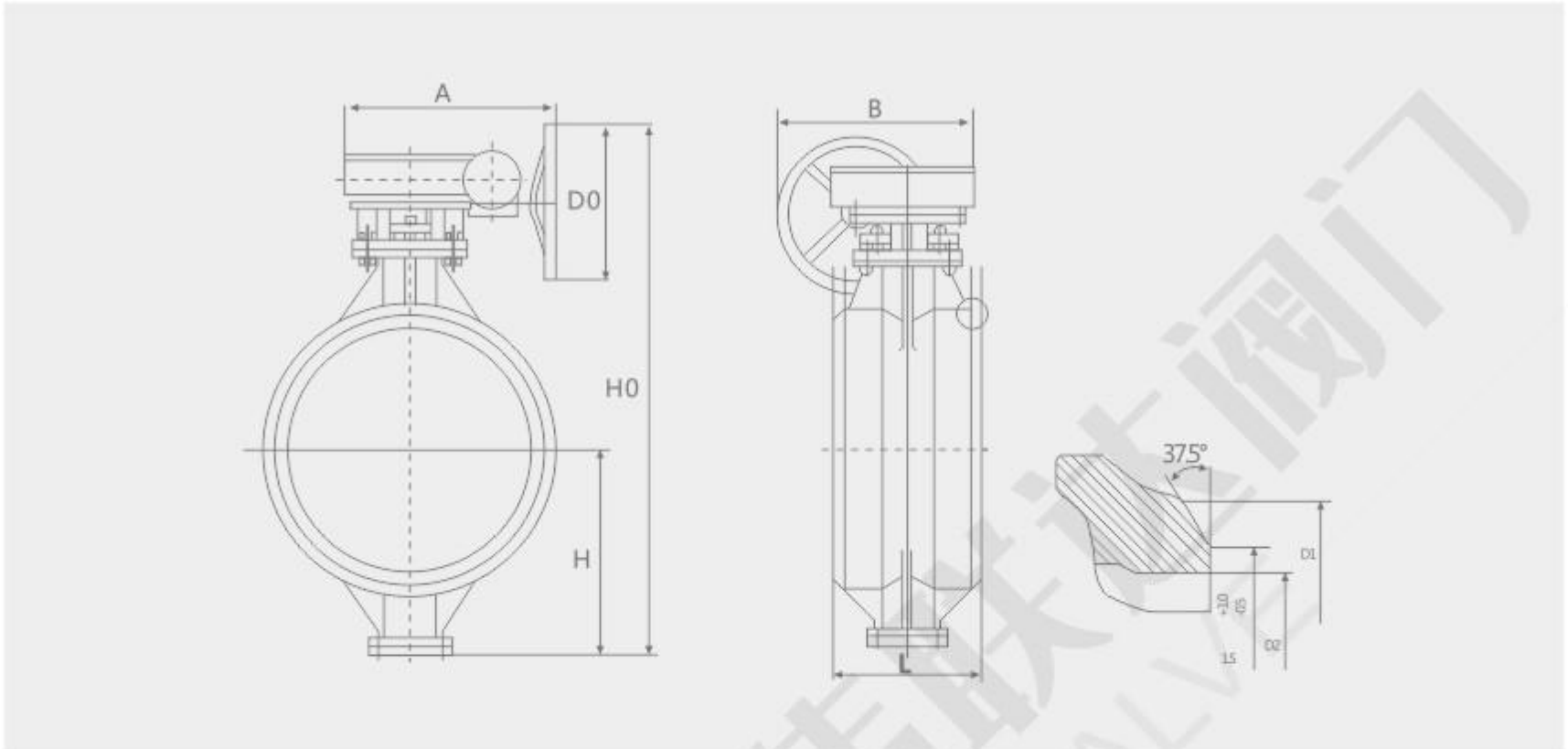
B

蝶阀系列
Butterfly Valve Series

PN25/PN40 法兰式多层次金属硬密封蝶阀

DN	结构长度L Structure length L	法兰尺寸 (参考值) Flange size (reference value)					结构长度L Structure length L	法兰尺寸 (参考值) Flange size (reference value)				外形尺寸 (参考值) Dimensions (reference value)		
		H	PN2.5Mpa					PN4.0Mpa				D343H		
			D	D1	D2	Z-d		长 long	D	D1	D2	Z-d	H1	A1
40	108	86	150/145	110	85	4-18	140	150	110	84	4-18	248	180	200
50	108	88	165/160	125	100	4-18	150	165	125	99	4-18	350	180	200
65	112	103	185/180	145	120	8-18	170	185	145	118	8-18	370	180	200
80	114	114	200/195	160	135	8-18	180	200	160	132	8-18	380	180	200
100	127	135	235/230	190	160	8-22	190	235	190	156	8-22	420	180	200
125	140	160	270	220	188	8-26	200	270	220	184	8-26	460	180	200
150	140	180	300	225	218	8-26	210	300	250	211	8-26	555	270	280
200	152	202	360	310	278	12-26	230	375	320	284	12-30	760	400	425
250	165	255	425	370	332	12-30	250	450	385	345	12-33	830	400	425
300	178	278	485	430	390	16-30	270	515	450	409	16-33	895	450	560
350	190	295	555/550	490	448	16-34	290	580	510	465	16-36	950	450	560
400	216	345	620/610	550	505	16-36	310	660	585	535	16-39	1190	535	580
450	222	395	670/660	600	555	20-36	330	685	610	560	20-39	1255	535	580
500	229	435	730	660	610	20-36	350	755	670	615	20-42	1305	535	580
600	267	480	845/840	770	718	20-41	390	890	795	735	20-48	1340	570	660
700	292	515	960/955	875	815	24-42	430	995	900	835	24-48	1520	750	550
800	318	610	1085/1070	990	930	24-48	470	1140	1030	960	24-56	1710	750	550
900	330	650	1185/1180	1090	1025	28-48	510	-	-	-	-	-	-	-
1000	410	715	1320/1305	1210	1140	28-56	550	-	-	-	-	-	-	-
1200	470	890	1530/1525	1420	1350	32-58	630	-	-	-	-	-	-	-
1400	530	1010	1755/1750	1640	1560	36-60	710	-	-	-	-	-	-	-

D363H/F/Y/W对焊式金属硬密封蝶阀
D363H/F/Y/W Butt Welding Metal Hard Seal Butterfly Valve



性能规范/用途及特点

Performance Specifications/purposes And Characteristics

本蝶阀适用于高温、高压、防火、保温等管道上作启闭或调节介质之用。其主要特点如下：

- 1、结构紧凑、体积小、重量轻、操作灵活、使用方便；
- 2、采用三维偏心硬碰硬或多层次硬密封结构，其密封性能可靠达到零泄漏；
- 3、此阀无法兰，对管道的保温包扎带来很大方便和美观；
- 4、具有耐高温、高压、耐腐蚀、耐磨损等特点。

Performance specifications/purposes and characteristics

This butterfly valve is suitable for opening and closing or regulating medium on pipelines with high temperature, high pressure, fire prevention, insulation, etc. Its main characteristics are as follows:

1. Compact structure, small size, light weight, flexible operation, and convenient use;
2. Adopting a three-dimensional eccentric hard hitting or multi-level hard sealing structure, its sealing performance is reliable and reaches zero leakage;
3. This valve has no flange, which brings great convenience and aesthetics to the insulation and wrapping of pipelines;
4. It has characteristics such as high temperature resistance, high pressure resistance, corrosion resistance, and wear resistance.

主要技术参数

The Main Technical Parameters

公称通径 Nominal Diameter	DN(mm)	50~700				
公称压力 Nominal Pressure	PN(Mpa)	0.6	1.0	1.6	2.5	4.0
试验压力 PS (mpa) Test Pressure	强度试验Shell test	0.9	1.5	2.4	3.75	6.0
	密封试验Seal test	0.66	1.1	1.76	2.75	4.4
	气密封试验Gas seal test	0.6	0.6	0.6	0.6	0.6
适用介质 Appropriate Medium	水、蒸气、油品、酸类腐蚀性等 Corrosive to water, steam, oil, acid, etc.					
适用温度 Appropriate Temperatuer	碳钢Carben steel:-29℃~425℃ 不锈钢Stainless steel:-196℃~600℃					

传动型式

Drive System

蜗轮传动、气动传动、电动传动、液动传动。

Worm gear transmission, pneumatic transmission, electric transmission, hydraulic transmission.

采用标准 Adopting Standards

焊接尺寸Welding dimensions:GB 12224;ANSI B16.25;DIN 2559

结构长度Structural length:GB/T 12221;API 609

压力试验Pressure test:GB/T 13927;API 598

D363H/F/Y/W对焊式金属硬密封蝶阀 D363H/F/Y/W Butt Welding Metal Hard Seal Butterfly Valve

主要零件的材质 Material Of Main Parts

零件名称Parts name	材料Material
阀体Body	铸钢、不锈钢、铬钼钢及特殊材料 Cast steel, stainless steel, chromium molybdenum steel and special materials
蝶板Disc	铸钢、合金钢(镀硬铬)、不锈钢、铬钼钢及特殊材料 Cast steel, Alloy steel, Stainless steel, Cr.Mo.Steel and ad hoc Material
密封圈Seal ring	不锈钢, 抗磨材料 Stainless steel, anti-wear material
阀杆Stem	2Cr13、17-4PH、304、316L
填料Packing	柔性石墨Flexible graphite

D363H(W)-16C(PI.R.V)对焊式金属硬密封蝶阀butt Welding Metal Hard Seal Butterfly Valve 主要外形及连接尺寸main Shape And Connection Size

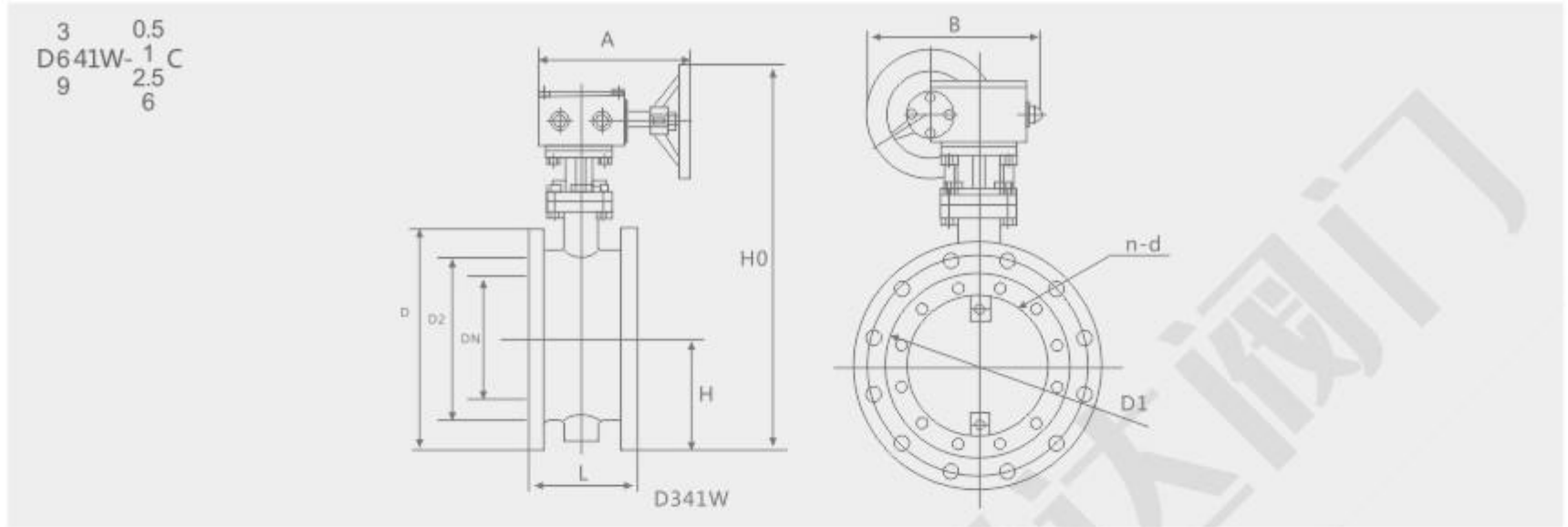
公称通径 Nominal diameter		标准值standard value 尺寸/mm(1.6MPa)Dimension							
		L	D1	D2	D0	H	H0	A	B
80	3"	180	90	78	157	90	350	194	186
100	4"	190	110	96	157	100	376	194	186
125	5"	200	135	121	205	113	410	268	252
150	6"	210	161	146	205	130	468	268	252
200	8"	230	222	202	235	205	586	306	300
250	10"	250	278	254	235	235	638	306	300
300	12"	270	330	303	296	275	734	416	400
350	14"	290	382	351	296	309	827	416	400
400	16"	310	432	398	296	346	924	416	400
450	18"	330	484	450	400	392	1046	475	420
500	20"	350	535	501	400	427	1138	475	420
600	24"	390	636	602	400	509	1372	475	420
700	28"	430	726	692	440	572	1590	592	565
800	32"	470	826	792	440	638	1722	592	565
900	36"	510	926	892	440	700	2025	592	565
1000	40"	550	1028	992	440	765	2155	592	565
1200	48"	630	1228	1192	500	860	2360	640	626
1400	56"	710	1428	1392	500	986	2636	640	626
1600	64"	790	1628	1592	500	1106	2906	640	626

D363H(W)-25C(PI.R.V)对焊式金属硬密封蝶阀butt Welding Metal Hard Seal Butterfly Valve 主要外形及连接尺寸main Shape And Connection Size

公称通径 Nominal Diameter		标准值standard Value 尺寸/mm(2.5Mpa)dimension							
		L	D1	D2	D0	H	H0	A	B
80	3"	180	90	78	157	90	350	194	186
100	4"	190	110	96	157	103	376	194	186
125	5"	200	135	121	205	113	410	268	252
150	6"	210	161	146	205	130	468	268	252
200	8"	230	222	202	235	205	586	306	300
250	10"	250	278	254	235	235	638	306	300
300	12"	270	330	303	296	275	734	415	400
350	14"	290	382	351	296	309	827	415	400
400	16"	310	432	398	296	346	924	415	400
450	18"	330	484	450	400	392	1046	475	420
500	20"	350	535	501	400	427	1138	475	420
600	24"	390	636	602	400	509	1372	475	420
700	28"	430	726	692	440	575	1590	592	565
800	32"	470	826	792	440	638	1722	592	565
900	36"	510	926	892	440	700	2025	592	565
1000	40"	550	1028	992	440	765	2155	592	565
1200	48"	630	1228	1192	500	860	2360	640	526
1400	56"	710	1428	1392	500	986	2636	640	526

D341W 法兰式通风蝶阀

D341W flange type ventilation butterfly valve



PN6 法兰式通风蝶阀

DN	L	H	H0	0.05/0.1/0.25MPa					0.6MPa				
				D	D1	D2	b	n-d	D	D1	D2	b	n-d
50	100	70	418	140	110	88	8	4-14	140	110	88	10	4-14
65	100	80	438	160	130	108	8	4-14	160	130	108	10	4-14
80	100	95	466	190	150	124	8	4-18	190	150	124	10	4-18
100	120	105	486	210	170	144	10	4-18	210	170	144	14	4-18
125	120	120	516	240	200	174	10	8-18	240	200	174	16	8-18
150	120	132	541	265	225	199	10	8-18	265	225	199	16	8-18
200	140	160	779	320	280	254	10	8-18	320	280	254	18	8-18
250	140	187	836	375	335	309	12	12-18	375	335	309	20	12-18
300	170	220	901	440	395	363	12	12-22	440	395	363	22	12-22
350	170	245	954	490	445	413	12	12-22	490	445	413	22	12-22
400	190	270	1003	540	495	463	14	16-22	540	495	463	22	16-22
450	190	297	1058	595	550	518	14	16-22	595	550	518	22	16-22
500	190	322	1111	645	600	568	14	20-22	645	600	568	24	20-22
600	210	377	1233	755	705	667	14	20-26	755	705	667	24	20-26
700	210	430	1338	860	810	772	16	24-26	860	810	772	24	24-26
800	210	487	1452	975	920	878	16	24-30	975	920	878	24	24-30
900	250	537	1588	1075	1020	978	16	24-30	1075	1020	978	24	24-30
1000	250	587	1689	1175	1120	1078	16	28-30	1175	1120	1078	24	28-30
1200	250	702	1938	1375	1320	1295	18	32-30	1405	1340	1295	26	32-33
1400	300	782	2670	1575	1520	1510	18	36-30	1630	1560	1510	26	36-36
1600	300	895	2810	1790	1730	1710	20	40-30	1830	1760	1710	26	40-36
1800	300	995	3020	1990	1930	1818	22	44-30	2045	1970	1918	26	44-39
2000	350	1095	3220	2190	2130	2125	22	44-30	2265	2180	2125	26	48-42
2200	350	1200	3430	2405	2340	2295	22	52-33	2475	2390	2335	28	52-42
2400	350	1310	3650	2605	2545	2495	24	56-33	2685	2800	2545	28	56-42
2600	400	1420	3920	2805	2740	2695	24	60-33	2905	2810	2750	28	60-48
2800	400	1530	4140	3030	2960	2910	26	64-36	3115	3020	2960	30	64-48
3000	400	1640	4360	3230	3160	3110	26	68-36	3315	3220	3160	30	68-48