



VINEND

THE GREAT WIN
THE UNITED GATHER ENERGY

伟者致胜·联则聚能

温州伟联达阀门有限公司
WENZHOU WEILIANDA VALVE CO., LTD

地址: 温州市经济技术开发区滨海园区五道
Address: 5th Road, Binhai Park, Wenzhou Economic and Technological Development Zone
电话/Tel: 18858818701
网址Web: www.weilianvalve.com



温州伟联达阀门有限公司
WENZHOU WEILIANDA VALVE CO., LTD

招商手册
MERCHANT HANDBOOK

COMPANY PROFILE 企业简介



专业
员工队伍



严格
生产管理



先进
加工设备



精密
检测仪器

VINEND 温州伟联达阀门有限公司
WENZHOU WEILIANDA VALVE CO., LTD

温州伟联达阀门有限公司是一家集研究探索、设计开发、制造、生产、销售、工程安装、服务于一体的综合性公司，伟联达阀门拥有完善标准化的管理体系、全程运营国际化的管理模式，专业化、自动化、规范化和程序化实体企业。超前的开发意识、专业的团队组合、给客户提供优质满意的服务。总部坐落于浙江泵阀之乡滨海工业园区，温州伟联达阀门有限公司集各个工业所需的电动执行器、气动执行器、阀门、法兰、管件、泵、电器、电缆、环保设备、制氢制氧、海水淡化等成套设备、智能系统、机电一体化的产品。公司拥有先进的柔性生产线、加工中心、CNC数控中心、大型卧式镗床、立车、等离子堆焊、超频真空热处理设备；建立健全了各种工况管线配阀以及机电一体化、智能系统的性能检测和试验台、CAD全球一体化的设计中心及三维立体模拟制造研发设计系统；伟联达阀门引进了核质谱检测仪、直读式光谱分析仪、O型圈抗爆试验台、阀门、法兰、管件、智能一体化弯曲实验台、压力测试试验台、防爆智能检测台、以及各种性能测试；保证了伟联达阀门新产品在研发生产制造于一体科学设备设施中生产出来的所有产品让用户用得放心用得舒心。

伟联达阀门主导产品有：智能系统控制阀、调流调压阀、化工专用阀、石油阀、水利阀、电力阀、海水淡化阀、环保成套设备阀、污水处理阀、制药专用阀、液氮超低温阀、超高温阀、各种钛材阀、2205/2507/304L/310S/特殊钢阀、自密封阀、脱硫脱销阀、减温减压装置、铝厂专用阀、以及日标、美标、德标、俄标、电气动阀、法兰、管件、工业自动控制系统、五金、电气电缆以及各种机械产品制造、等系列产品，伟联达阀门产品广泛应用在、水利、电力、环保、排污、楼宇、石油、化工、冶炼、军工、制药、食品、燃气、市政管网等多元化工况系统中。

良好的品牌来自于客户的反馈、享誉阀业的口碑来自于终端用户的信赖，伟联达阀门在董事长的率领下高瞻远瞩、开拓创新、走“产学研”之路，将成为一匹拥有实力、展现活力、充满动力、深具潜力的伟联达阀门与所有新老客户携手共进，共谱凯歌。

Wenzhou Weilianda Valve Co., Ltd. is a comprehensive company that integrates research and exploration, design and development, manufacturing, production, sales, engineering installation, and service. Weilianda Valve has a complete standardized management system, an international management mode for full operation, and a professional, automated, standardized, and programmatic entity enterprise. Advanced development awareness, professional team composition, and providing customers with high-quality and satisfactory services. Headquartered in Binhai Industrial Park, the hometown of pumps and valves in Zhejiang, Wenzhou Weilianda Valve Co., Ltd. integrates complete sets of equipment, intelligent systems, and electromechanical integration products for various industries, including electric actuators, pneumatic actuators, valves, flanges, pipe fittings, pumps, electrical appliances, cables, environmental protection equipment, hydrogen and oxygen production, seawater desalination, etc. The company has advanced flexible production lines, machining centers, CNC numerical control centers, large horizontal boring machines, vertical lathes, plasma welding, and overlocking vacuum heat treatment equipment; We have established and improved performance testing and testing platforms for various working condition pipeline valves, mechatronics integration, intelligent systems, CAD global integration design centers, and 3D simulation manufacturing research and development design systems; Weilianda Valve has introduced nuclear mass spectrometer, direct reading spectrometer, O-ring explosion-proof test bench, valves, flanges, pipe fittings, intelligent integrated bending test bench, pressure testing bench, explosion-proof intelligent testing bench, and various performance tests; We ensure that all products produced by Weilianda Valve's new products in scientific equipment and facilities that integrate research and development, production, and manufacturing can be used with peace of mind and comfort by all users.

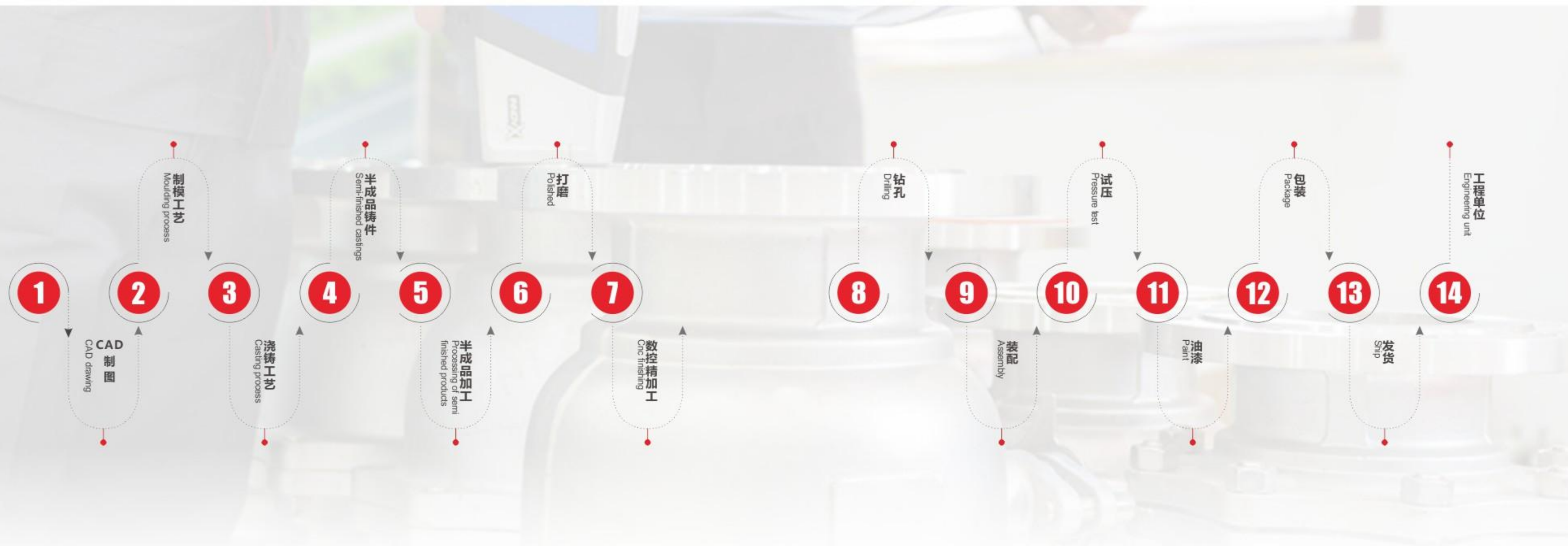
Weilianda Valve's main products include intelligent system control valves, flow and pressure regulating valves, chemical special valves, petroleum valves, water conservancy valves, power valves, seawater desalination valves, environmental protection complete equipment valves, sewage treatment valves, pharmaceutical special valves, liquid nitrogen ultra-low temperature valves, ultra-high temperature valves, various titanium valves, 2205/2507/304L/310S/special steel valves, self sealing valves, desulfurization and denitrification valves, temperature and pressure reduction devices, aluminum plant special valves, as well as Japanese, American, German, Russian, electric valves, flanges, pipe fittings, industrial automatic control systems, hardware, electrical cables, and various mechanical product manufacturing series products. Weilianda Valve products are widely used in water conservancy, electricity, environmental protection, sewage discharge and other industries. In diversified operating systems such as buildings, petroleum, chemical, smelting, military, pharmaceutical, food, gas, municipal pipelines, etc.

A good brand comes from customer feedback, and a renowned reputation in the valve industry comes from the trust of end users. Under the leadership of the chairman, Weilianda Valve is visionary, innovative, and follows the path of "industry university research". It will become a powerful, dynamic, and promising Weilianda Valve, working hand in hand with all new and old customers to achieve success.

PRODUCTION PROCESS

生产流程

- 产品解决方案
Product Solutions
- 工程的设计与安装
Design and installation of the project
- 工艺流程和设备的选择
Selection of process flow and equipment
- 检测及售后服务
Testing and after-sales service



公司追求生产的准确性、精化性，不断完善自己的精益生产方式包括每一个零部件，都严格按标准精心打造确保产品的高品质。

The company pursues the accuracy and refinement of production, continuously improving one's lean production approach, including every component, we strictly follow the standards and meticulously create to ensure the high quality of our products.

APPLICATION AREA 应用领域

产品广泛应用于

石油、化工、天然气、轻工、电力、冶金、建筑工地、制冷、供水等领域。中国各行各业正处于智能化变革及环境问题，市场产品更新迭代迅速、而环境意识的增强将推动阀门行业朝着更加低排放和环保的方向发展，阀门在制造业中需求量增高，且阀门在制造业中是不可或缺的关键组件。它们在流体控制、系统安全、节能和自动化方面的需求程度非常高，对制造过程的顺利进行和生产效率的提升起到重要作用。

Petroleum, chemical, natural gas, light industry, electricity, metallurgy, construction sites, refrigeration, water supply and other fields. Various industries in China are undergoing intelligent transformation and environmental issues. The rapid updating and iteration of market products, as well as the enhancement of environmental awareness, will drive the valve industry towards lower emissions and environmental protection. The demand for valves in the manufacturing industry is increasing, and valves are an indispensable key component in the manufacturing industry. They have a high demand for fluid control, system safety, energy conservation, and automation, playing an important role in the smooth progress of manufacturing processes and the improvement of production efficiency.



石油
Petroleum



化工
Chemical industry



电力
Electric power



冶金
Metallurgy



天然气
Natural gas



新能源
New energy



半导体
Semiconductor



EMPOWERING
HIGH-END INDUSTRIES
赋能高端产业

MARKETING NETWORK 营销网络



服务客户 **3000+** 个
Serving over 3000 customers

产品覆盖全国各省、市、自治区、直辖市，并出口美国、俄罗斯、加拿大、巴西、德国、法国、英国、意大利、日本、印度、澳大利亚、南非、墨西哥、印度尼西亚、伊朗、巴基斯坦、阿根廷、土耳其、韩国、沙特阿拉伯、埃及、荷兰、瑞士、波兰、尼日利亚、马来西亚、葡萄牙、西班牙、瑞典、挪威、芬兰、丹麦、奥地利、捷克、斯洛伐克、匈牙利、罗马尼亚、保加利亚、塞尔维亚、希腊、以色列等多个国家及地区，深受国内外用户欢迎和好评。

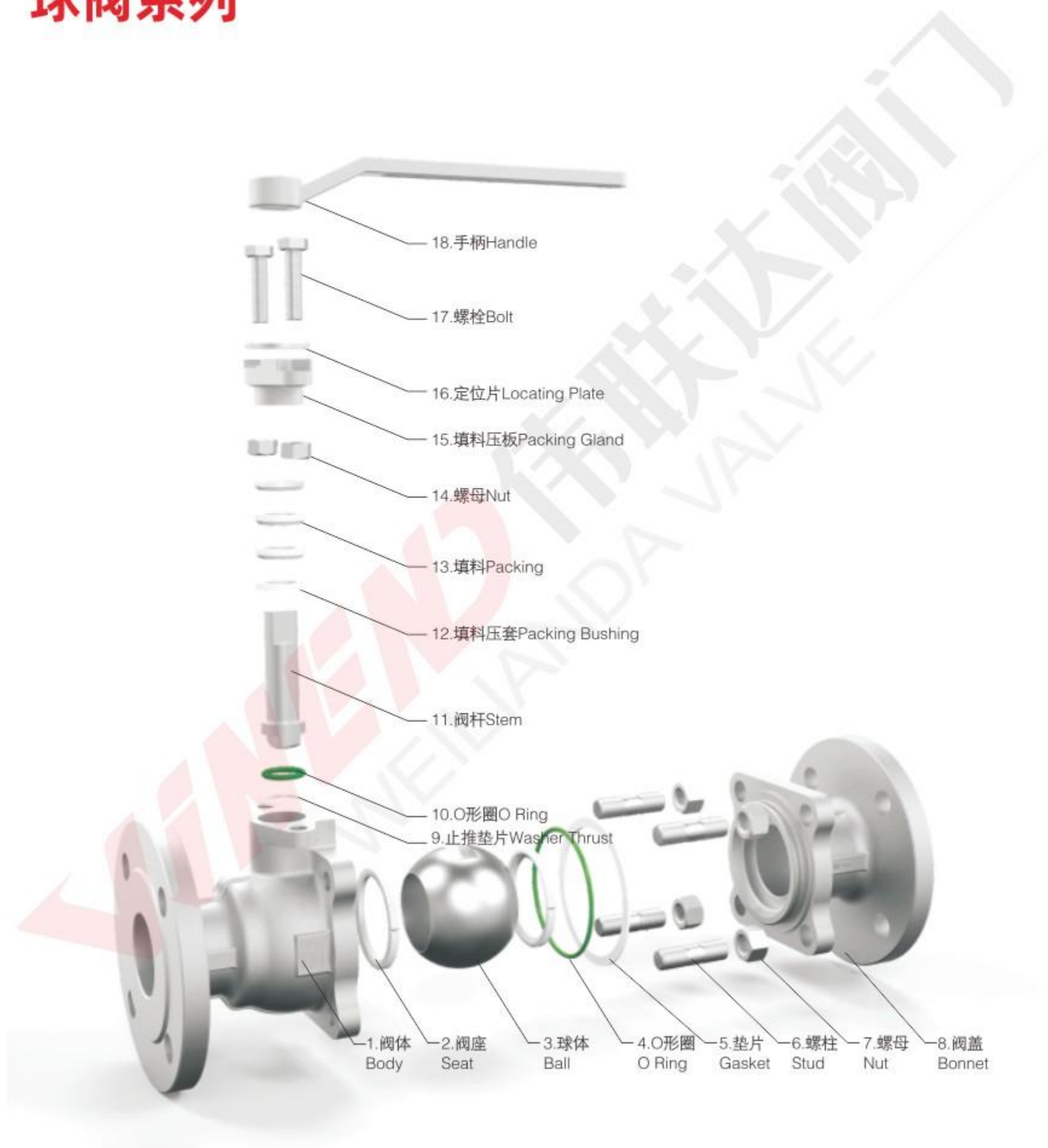
The products cover provinces, cities, autonomous regions, municipalities directly under the Central Government, and are exported to the United States, Russia, Canada, Brazil, Germany, France, Britain, Italy, Japan, India, Australia, South Africa, Mexico, Indonesia, Iran, Pakistan, Argentina, Türkiye, South Korea, Saudi Arabia, Egypt, the Netherlands, Switzerland, Poland, Nigeria, Malaysia, Portugal, Spain, Sweden, Norway, Finland, Denmark, Austria, the Czech Republic, Slovakia, Hungary, Romania, Bulgaria, Serbia, Greece, Israel and other countries and regions, and are well received and praised by users at home and abroad.




GLOBAL RESOURCE
INTEGRATION
全球资源整合

CATALOGUE
目录

01 球阀系列 Ball valve series	03 特材阀门系列 Special material valve series	05 蝶阀系列 Butterfly valve series	07 闸阀系列 Gate valve series	09 截止阀系列 Globe valve series	11 止回阀/过滤器系列 Check valve/filter series	13 防腐阀门系列 Anticorrosive valve series
14 调节阀系列 Control valve series	15 锻钢阀系列 Forged steel valve series	16 水暖丝扣阀门系列 Threaded ball valve series	18 气动阀门系列 Pneumatic valve series	19 加盟条件 Join conditions	20 加盟支持 Affiliate support	

**BALL VALVE
SERIES
球阀系列**



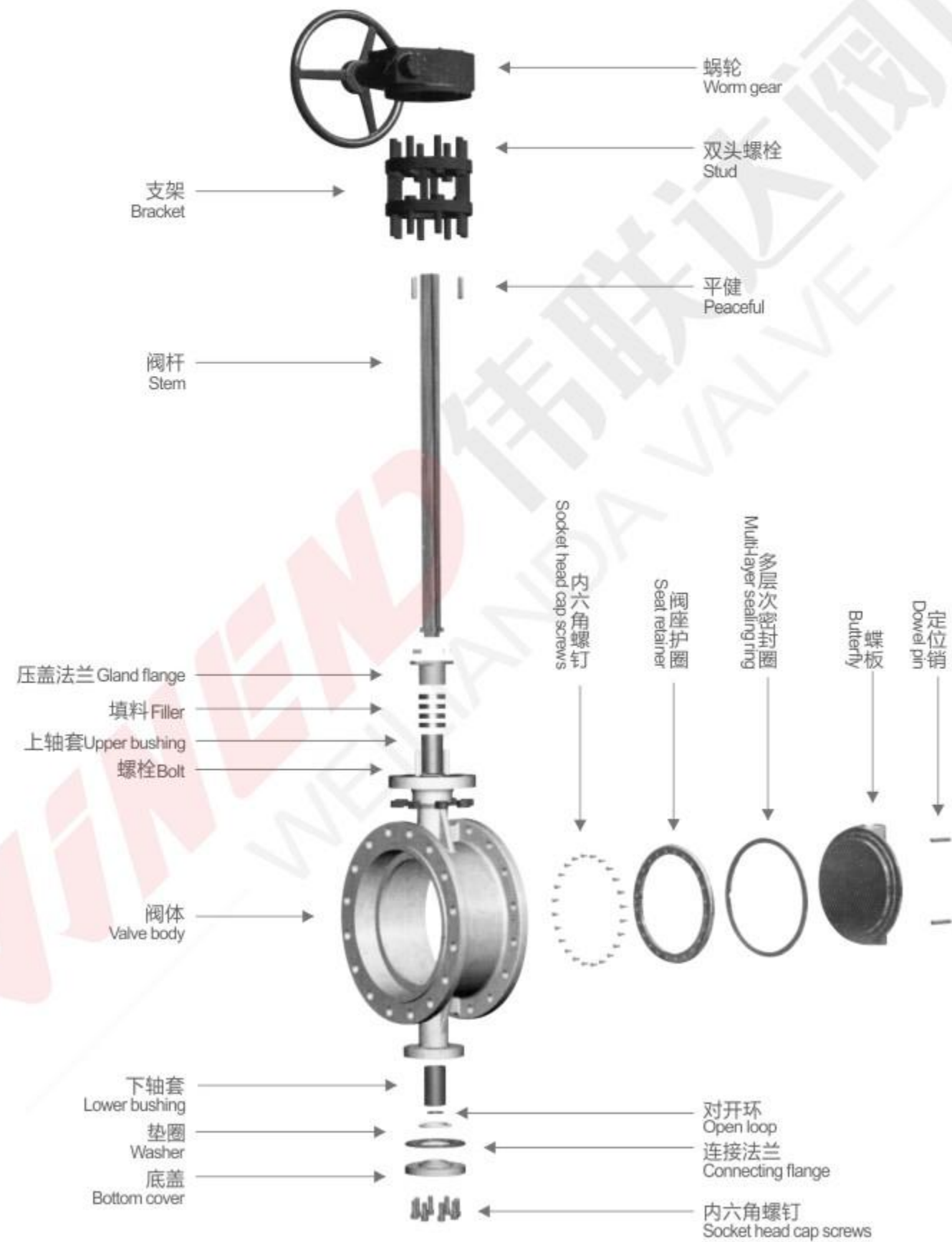
			
固定式法兰球阀 Fixed flanged ball valve	国标法兰球阀 GB Flange ball valve	硬密封球阀 Hard seal ball valve	美标法兰球阀 API Flanged ball valves
			
美标球阀 API Ball valve	铸钢球阀 Cast steel ball valve	铸钢球阀 Cast steel ball valve	三通高平台法兰球阀 Q44/45f-16p three-way high Platform flange ball valve
			
高平台薄型球阀 High platform thin ball valve	低温球阀 Cryogenic ball valve	氧气专用球阀 Oxygen dedicated ball valve	三通球阀 Three-way ball valve
			
三片式高压球阀 Three-piece high-pressure ball valve	固定式法兰球阀 Fixed flange ball valve	保温夹套球阀 Insulation jacket ball valve	V型球阀 V-ball valve

**SPECIAL MATERIAL
VALVE SERIES
特材阀门系列**

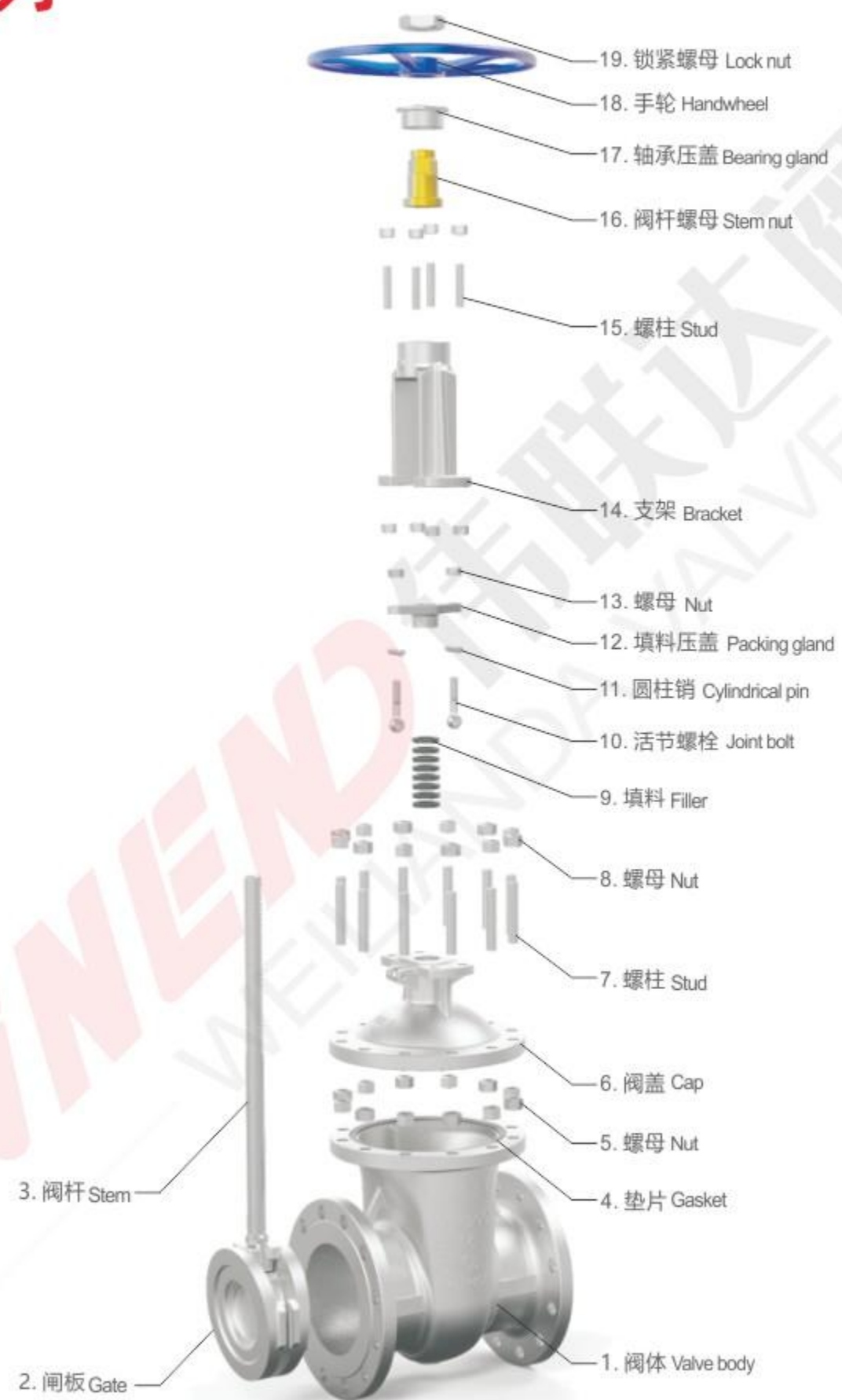


 <p>2205特材国标球阀 Special material GB ball valve</p>	 <p>TA2特材国标球阀 Special material GB ball valve</p>	 <p>哈氏合金法兰球阀 Hastelloy alloy flanged ball valve</p>
 <p>310S特材美标球阀 Special material API ball valve</p>	 <p>TA2特材电动球阀 Special material electric ball valve</p>	 <p>2205特材国标闸阀 Special material GB gate valve</p>
 <p>纯镍特材国标截止阀 Special material GB globe valve</p>	 <p>310S特材国标截止阀 Special material GB globe valve</p>	 <p>TA2特材放料阀 Special material discharge valve</p>
 <p>2205特材止回阀 Special material check valve</p>	 <p>2205特材国标止回阀 Special material GB check valve</p>	 <p>TA2特材过滤器 Special material filter</p>

BUTTERFLY VALVE SERIES 蝶阀系列



**GATE VALVE
SERIES
闸阀系列**



国标闸阀
GB Gate Valve



国标电动闸阀
GB Electric gate valve



美标法兰闸阀
API Flanged gate valve



美标法兰闸阀
API Flange gate valve



锁闭闸阀
lock gate valve



暗杆闸阀
Dark stem gate valve



低温闸阀
Low temperature gate valve

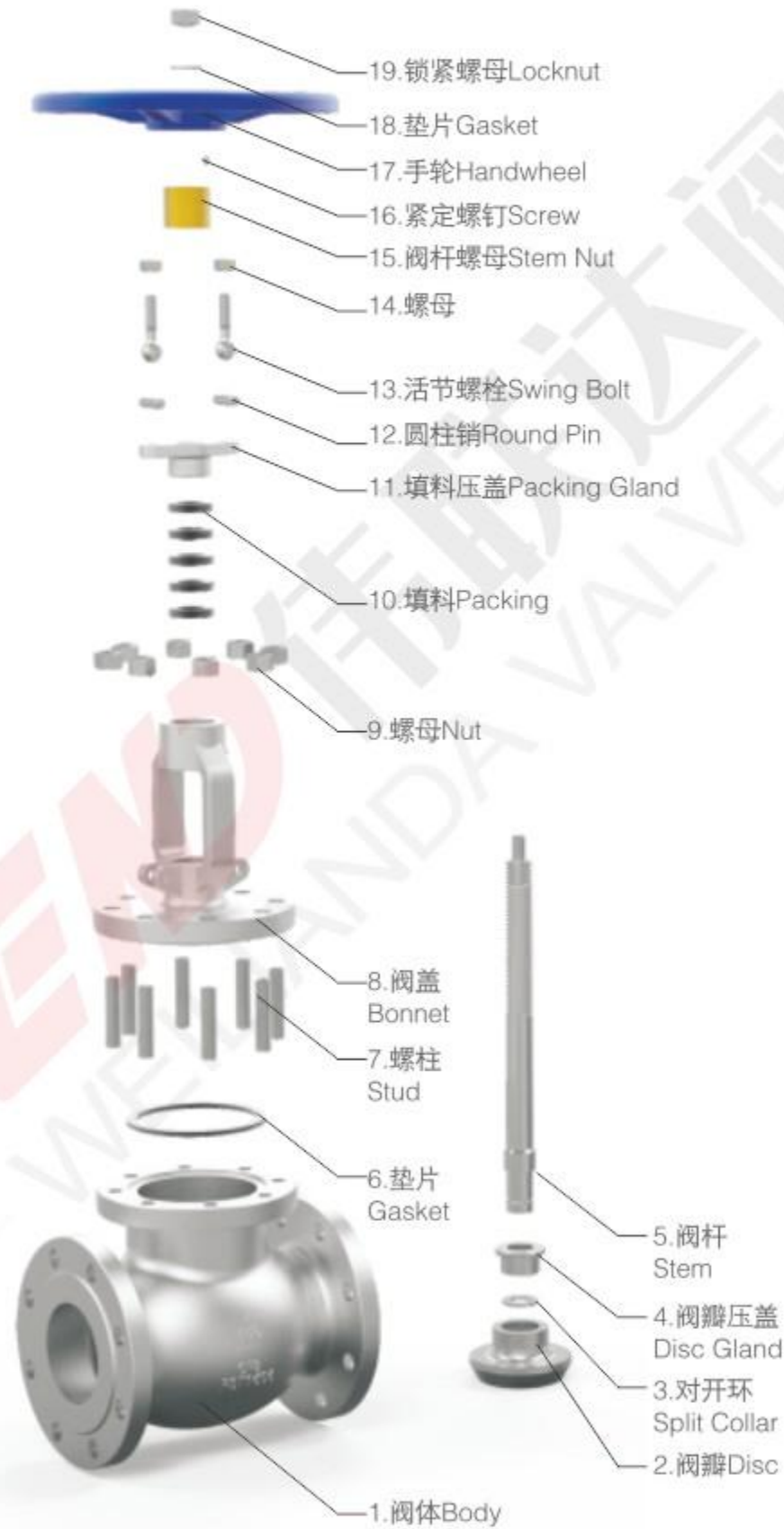


电动闸阀
Electric gate valve

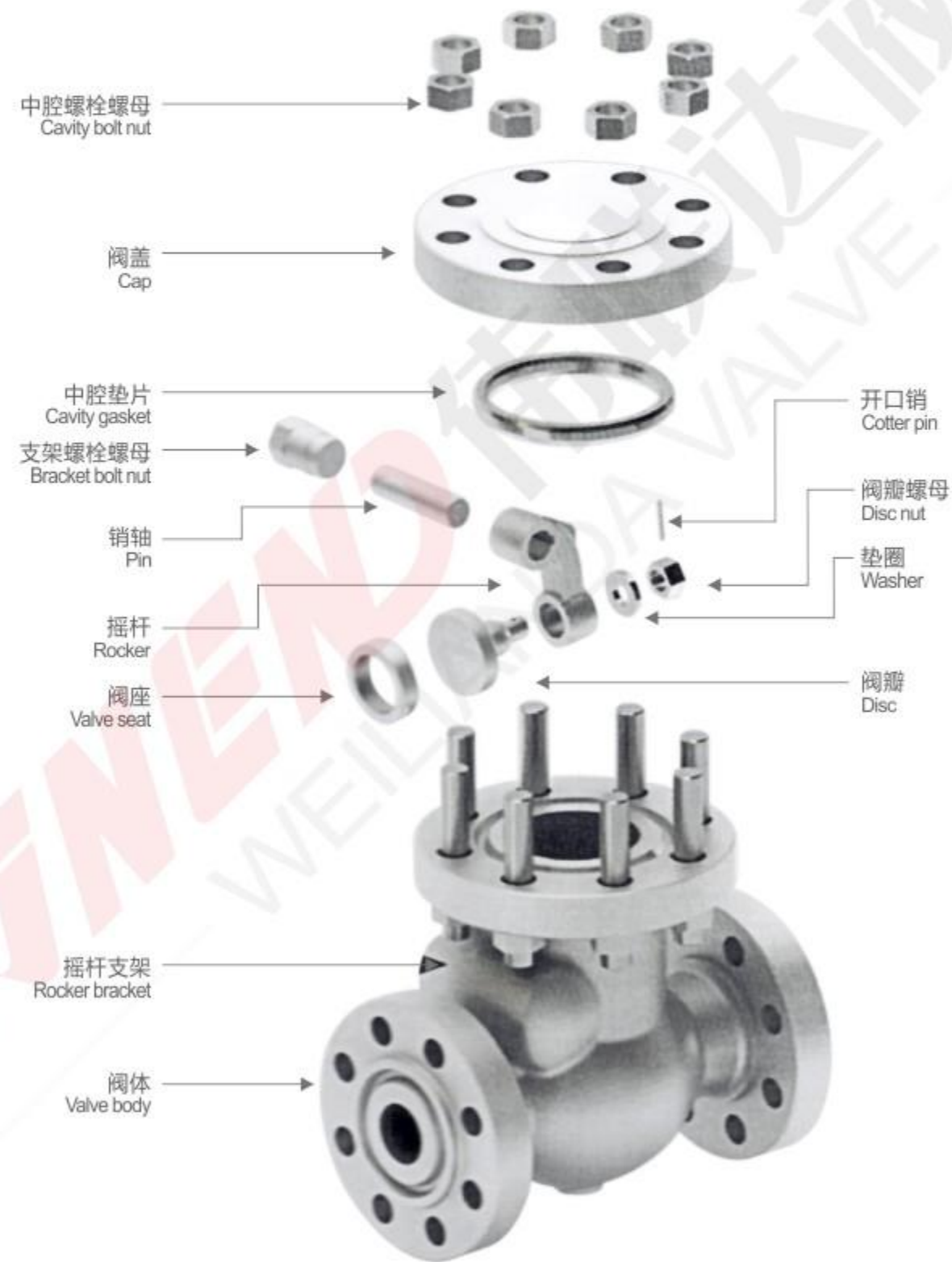


刀闸阀
Knife Gate Valve

**GLOBE VALVE
SERIES
截止阀系列**



CHECK VALVE FILTER SERIES 止回阀/过滤器系列



国标升降式止回阀
GB lift check valve



国标旋启式止回阀
GB swing check valve



美标法兰止回阀
API Flange check valve



国标立式止回阀
GB vertical check valve



对夹止回阀
Wafer check valve



对夹止回阀
Wafer check valve



Y型过滤器
Y type filter



篮式过滤器
Basket filter

ANTICORROSIVE VALVE SERIES
防腐阀门系列

			
电动衬胶蝶阀 Pneumatic diaphragm valve	电动衬胶蝶阀 Pneumatic diaphragm valve	手动衬胶对夹蝶阀 Hand-operated rubber-lined butterfly valve	衬氟蜗轮法兰蝶阀 Fluorine lined worm gear flange butterfly valve
			
衬氟手动法兰球阀 Fluorine-lined manual flanged ball valve	衬氟手动放料球阀 Fluorine lined manual discharge ball valve	衬氟法兰高平台球阀 Fluorine lined flange high platform ball valve	衬氟气动法兰球阀 Fluorine-lined pneumatic flange ball valve
			
衬氟闸阀 Fluorine-lined gate valve	衬氟伞齿轮截止阀 Fluorine lined bevel gear globe valve	衬氟手动截止阀 Fluorine-lined manual globe valve	衬氟旋塞阀 Fluorine lined cock valves
			
衬氟升降式止回阀 Fluorine-lined lift check valve	衬氟对夹旋启式止回阀 Fluorine lined rotary check valve	衬氟Y型过滤器 Fluorine lined Y-type filter	衬胶管夹阀 Rubber lined pinch valve

CONTROL VALVE SERIES
调节阀系列

			
ZJHP气动单座调节阀 ZJHP pneumatic single seat control valve	ZSPQ切断阀 ZSPQ shut-off valve	ZLHM气动套筒调节阀 ZLHM pneumatic sleeve control valve	ZJHJ气动薄膜调节阀 ZJHJ pneumatic film control valve
			
ZJHQ/X气动三通调节阀 ZJHQ/X pneumatic three-way regulating valve	ZZVP自力式泄氮阀 ZZVP self-operated nitrogen release valve	自力式差压调节阀 Self-operated differential pressure regulating valve 215V type	ZZYP自力式调节阀 ZZYP self-operated regulating valve
			
气动薄膜调节阀 Pneumatic diaphragm valve	ZJHP (M)气动调节阀 ZJHP (M) Pneumatic Control Valve	自力式调节阀 Self-reliance type regulator	自力式调节阀 Self-reliance type regulator
			
ZJHM气动套筒调节阀 ZJHM pneumatic sleeve control valve	ZJHM气动套筒调节阀 ZJHM pneumatic sleeve control valve	ZDLM电动套筒调节阀 ZDLM electric sleeve control valve	ZDLP电动单座调节阀 ZDLP electric single seat control valve

FORGED STEEL VALVE SERIES

锻钢阀系列

 <p>锻钢低温对焊闸阀 Forged steel low temperature Butt welding gate valve</p>	 <p>锻钢对焊截止阀 Forged steel butt welded globe valve</p>	 <p>锻钢法兰止回阀 Forged steel flanged check valve</p>
 <p>锻钢对焊止回阀 Forged steel butt welded Check valve</p>	 <p>锻钢对焊Y型过滤器 Forged steel butt welded Y strainer</p>	 <p>锻钢法兰闸阀 Forged steel flanged gate valve</p>
 <p>锻钢螺纹闸阀 Forged steel thread gate valve</p>	 <p>锻钢法兰截止阀 Forged steel flanged globe valve</p>	 <p>锻钢法兰球阀 Forged steel flanged ball valve</p>

THREADED BALL VALVE SERIES

水暖丝扣阀门系列

 <p>一片式球阀 1PC ball valve</p>	 <p>二片式球阀 2PC ball valve</p>	 <p>三片式球阀 3PC ball valve</p>	 <p>三片式对焊球阀 3PC butt welding ball valve</p>
 <p>三片式高平台内螺纹球阀 3PC high platform female thread ball valve</p>	 <p>三片式快装球阀 3PC quick-fit ball valve</p>	 <p>内螺纹三通球阀 Internal thread three-way ball valve</p>	 <p>三通高平台内螺纹球阀 Three-way high platform internal thread ball valve</p>
 <p>三片式活接对焊式不锈钢球阀 Three-piece union butt welded stainless steel ball valve</p>	 <p>丝扣闸阀(软密封/硬密封) Threaded gate valve (Soft Seal/Hard Seal)</p>	 <p>免维护闸阀(软密封/硬密封) Maintenance-free gate valve (Soft Seal/Hard Seal)</p>	 <p>水暖闸阀(软密封/硬密封) Plumbing gate valve (Soft Seal/Hard Seal)</p>
 <p>加长闸阀(软密封/硬密封) Lengthened gate valve (Soft Seal/Hard Seal)</p>	 <p>法兰闸阀 Flange gate valve</p>	 <p>磁性闸阀 Magnetic gate valve</p>	 <p>防盗闸阀 Anti-theft gate valve</p>

THREADED BALL VALVE SERIES

水暖丝扣阀门系列

			
软密封闸阀 Soft sealing gate valve	法兰截止阀 Flange globe valve	国标截止阀 Gb Globe valve	美标截止阀 ANSI Globe valve
			
丝扣排气阀 Threaded exhaust valve	法兰排气阀 Flanged exhaust valve	丝扣排气阀 Threaded exhaust valve	丝扣止回阀 Threaded check valve
			
丝扣止回阀 Threaded check valve	Y型过滤器 Y type filter	对夹止回阀 Wafer check valve	减压阀 Pressure reducing valve
			
过滤器球阀 Filter ball valve	浮球阀 Float valve	槽车球阀 Tanker ball valve	放料球阀 Discharge ball valve

PNEUMATIC VALVE SERIES

气动阀门系列

				
气动法兰球阀 Pneumatic flanged ball valves	气动快装球阀 Pneumatic fast loading the ball valve	气动意大利薄型对夹球阀 Pneumatic Italian thin ball valve to the clamp	气动螺纹球阀 Pneumatic screw thread ball valve	气动三通全快装球阀 Pneumatic tee turnkey fast ball valve
				
气动UPVC双由令球阀 Pneumatic UPVC double by ball valve	气动高压球阀 Pneumatic high-pressure ball valve	调节型气动法兰球阀 External regulation pneumatic flanged ball valves	配防爆三联件气动法兰球阀 With explosion-proof sanlian pieces pneumatic flanged ball valves	调节型气动对夹蝶阀 External regulation of pneumatic butterfly valve to the clamp
				
气动对夹蝶阀 Pneumatic butterfly valve to the clamp	气动硬密封法兰蝶阀 Pneumatic hard sealing flange butterfly valve	气动卫生级快装蝶阀 Fast loading butterfly valve pneumatic health level	气动全不锈钢对夹蝶阀 Pneumatic full stainless steel butterfly valves to the clamp	气动衬氟对夹蝶阀 Pneumatic fluorine-butterfly butterfly valve to the clamp
				
立式气动卫生级快装蝶阀 Vertical fast loading butterfly valve pneumatic health level	气动法兰蝶阀 Pneumatic flange butterfly valve	配两联件气动对夹蝶阀 With two couplet a pneumatic butterfly valve to the clamp	气动三偏心硬密封对夹蝶阀 Three partial hardness pneumatic sealing butterfly valve to the clamp	气动双偏心硬密封对夹蝶阀 Pneumatic double hardness sealing butterfly valve to the clamp

JOIN CONDITIONS 加盟条件



JOIN CONDITIONS 加盟支持

营销支持

量身定制开展营销活动，实施方案，全程跟踪服务

我公司绝不会在同一个地级市设立2个或2个以上销售代理机构，保证加盟合作伙伴的唯一性

区域保护支持

样品支持

出样产品实行定金制，减轻开店资金压力

提供品牌宣传资料及策划、营营销方案

广告宣传支持

人员培训

提供阀门销售及售后维护人员的系统培训

提供国内外阀门标准，阀门技术资料阀门技术咨询

技术支持

运营管理支持

提供国内外市场分析，营销指导，相关阀门专业知识培训