



**VINEND**



**GLOBE VALVE  
SERIES**  
截止阀系列

## 国标法兰截止阀 GB Flange globe valve

D

截止阀系列  
Globe Valve Series

### 结构优势与特点Structural advantages and characteristics

- 1、产品设计制造按国家标准GB 12235,结构合理,密封可靠,性能优良,造型美观。
  - 2、阀瓣、阀座密封面用铁基合金堆焊或司太立(stellite)钴基硬质合金堆焊而成,耐磨、耐高温、耐腐蚀、抗擦伤性能好、使用寿命长。
  - 3、阀杆经调质及表面氮化处理,有良好的抗腐蚀性和抗擦伤性。
  - 4、可采用各种配管法兰标准及法兰密封面型式,满足各种工程需要和用户要求。
  - 5、阀体材料品种齐全,填料、垫片可根据实际工况或用户要求合理选配,能适用与各种压力、温度及介质工况。
  - 6、倒密封采用螺纹连接密封座或本体堆焊不锈钢而成,密封可靠,填料更换可在不停机情况下进行方便快捷不影响系统运行。
- 1、The product designed and manufactured according to national standard GB 12235, reasonable structure, reliable sealing, excellent performance and beautiful shape.
  - 2、Flap valve, the valve seat sealing surface of iron based alloy or stellite (stellite) made of cobalt-based alloy welding, wear-resistant, high temperature, corrosion, anti-abrasion performance, long life .
  - 3、Stem quenched and the nitrogen treatment, with good resistance to corrosion and scratch resistance.
  - 4、Can be used with a variety of standard pipe flanges and flange sealing surface types to meet various project needs and user requirements.
  - 5、Body material variety, packing, gasket can be based on actual working conditions or the user requests a reasonable option, can be applied with all kinds of pressure, temperature and medium conditions.
  - 6、Sealed with screw connection seal back seat or body made of stainless steel welding, sealing and reliable replacement of filling in non-stop convenient and efficient manner does not affect system operation.

### 标准与规范Standards and norms

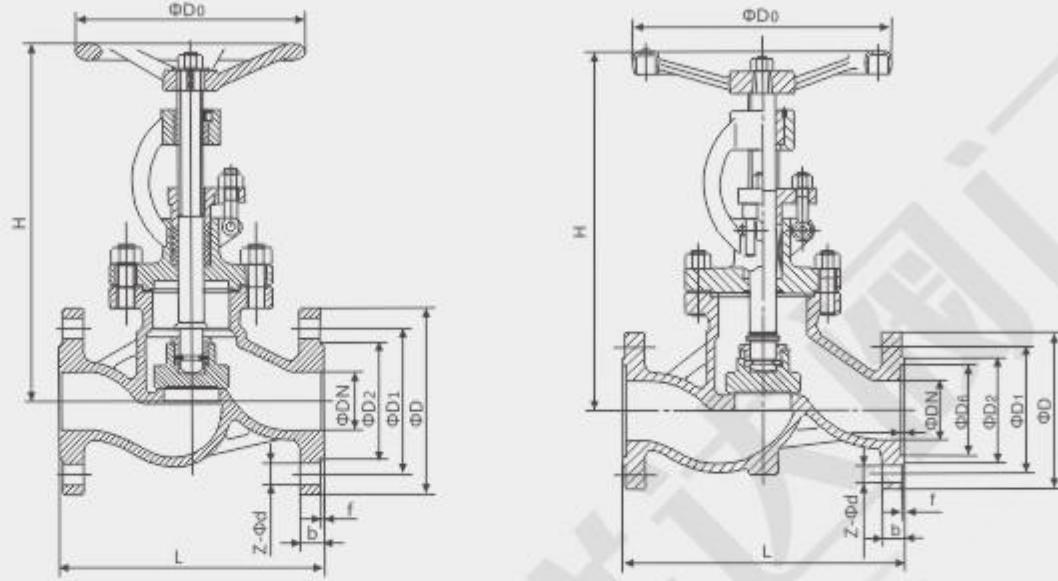
设计与制造 Design and Manufacture	结构长度 Structure Length	压力、温度等级 Pressure、 temperature rating	连接法兰 Connecting flange	检验与试验 Test and Inspection
GB 12235	GB 12221	GB 12224	JB/T 79/82 GB 9113 HG 20592-20635	GB/T 13927 GB/T 26480

### 主要零件材料Main components material

名称 Name	材料 Material								
阀体/阀盖Body/Bonnet	CF8	CF3	CF8M	CF3M	WCB	LCB	WC6	WC9	C5
阀瓣Wedge	CF8	CF3	CF8M	CF3M	WCB	LCB	WC6	WC9	C5
阀杆Stem	F304	F304L	F316	F316L	2CR13	F304	F304	F304	F304
阀杆螺母Stem Nut	铝青铜Aluminium Bronze								
填料Packing	PTFE/柔性石墨				石墨Graphite				
垫片Gasket	PTFE/金属缠绕垫				石墨Graphite				
压盖Gland	CF8	CF3	CF8M	CF3M	WCB	LCB	WC6	WC9	C5
螺栓Bolt					35CrMoA				
螺母Nut	不锈钢Stainless Steel				45、35CrMoA				
手轮Handwheel	不锈钢Stainless Steel				铸钢Cast Steel				

**国标法兰截止阀**  
GB Flange globe valve

J41  $\frac{W}{V} - \frac{1.6}{2.5} C, I, P, R$



**PN16** 国标法兰截止阀

JB/T79

公称通径 DN(mm)	尺寸Size(mm)										重量 Weight (Kg)
	L	D	D1	D2	D6	b-f	f2	Z-φd	H	Do	
10	130	90	60	40	/	14-2	/	4-14	198	120	4.7
15	130	95	65	45	/	14-2	/	4-14	218	120	5.2
20	150	105	75	55	/	14-2	/	4-14	230	140	7.1
25	160	115	85	65	/	14-2	/	4-14	240	160	7.4
32	180	135	100	78	/	16-2	/	4-18	250	180	8.5
40	200	145	110	85	/	16-3	/	4-18	262	200	12.5
50	230	160	125	100	/	16-3	/	4-18	280	240	19.2
65	290	180	145	120	/	18-3	/	4-18	327	280	26.5
80	310	195	160	135	/	20-3	/	8-18	355	280	29
100	350	215	180	155	/	20-3	/	8-18	415	320	41
125	400	245	210	185	/	22-3	/	8-18	460	360	57
150	480	280	240	210	/	24-3	/	8-23	510	400	86.5
200	600	335	295	265	/	26-3	/	12-23	588	400	140
250	650	405	355	320	/	30-3	/	12-25	725	450	220
300	750	460	410	375	/	30-4	/	12-25	925	500	325
350	850	520	470	435	/	34-4	/	16-25	1030	600	590
400	950	580	525	485	/	36-4	/	16-30	1170	700	750
450	1050	640	585	545	/	40-4	/	20-30	1220	800	89
500	1150	705	650	608	/	44-4	/	20-34	1410	900	1225
600	1350	840	770	718	/	48-5	/	20-41	1610	1000	2200

国标法兰截止阀  
GB Flange globe valve

D

截止阀系列  
Globe Valve Series

PN25 国标法兰截止阀

JB/T79

公称通径 DN(mm)	尺寸Size(mm)										重量 Weight (Kg)
	L	D	D <sub>1</sub>	D <sub>2</sub>	D <sub>6</sub>	b-f	f <sub>2</sub>	Z-Φd	H	D <sub>0</sub>	
10	130	90	60	40	/	16-2	/	4-14	198	120	4.9
15	130	95	65	45	/	16-2	/	4-14	218	120	5.4
20	150	105	75	55	/	16-2	/	4-14	258	140	7
25	160	115	85	65	/	16-2	/	4-14	275	160	7.4
32	180	135	100	78	/	18-2	/	4-18	280	180	8.5
40	200	145	110	85	/	18-3	/	4-18	330	200	12.5
50	230	160	120	100	/	20-3	/	4-18	350	240	20
65	290	180	145	120	/	22-3	/	8-18	400	280	29
80	310	195	160	135	/	22-3	/	8-18	355	280	32
100	350	230	190	160	/	24-3	/	8-23	415	320	45
125	400	270	220	188	/	28-3	/	8-25	460	360	63
150	480	300	250	218	/	30-3	/	8-25	510	400	90
200	600	360	310	278	/	34-3	/	12-25	710	400	160
250	650	425	370	332	/	36-3	/	12-30	786	450	240
300	750	485	430	390	/	40-4	/	16-30	925	500	390
350	850	550	490	448	/	44-4	/	16-34	1030	600	650
400	950	610	550	505	/	48-4	/	16-41	1170	700	820
450	1050	660	600	555	/	50-4	/	20-34	1220	800	960
500	1150	730	660	610	/	52-4	/	20-41	1450	900	1310
600	1350	840	770	718	/	56-5	/	20-41	1810	1000	2420

PN40 国标法兰截止阀

JB/T79

10	130	90	60	40	35	16-2	4	4-14	198	120	4.9
15	130	95	65	45	40	16-2	4	4-14	233	120	5.7
20	150	105	75	55	51	16-2	4	4-14	275	140	7
25	160	115	85	65	58	16-2	4	4-14	285	160	8.8
32	180	135	100	78	66	18-2	4	4-18	302	180	11.8
40	200	145	110	85	76	18-3	4	4-18	355	200	16.5
50	230	160	125	100	88	20-3	4	4-18	373	240	24
65	290	180	145	120	110	22-3	4	8-18	408	280	33
80	310	195	160	135	121	22-3	4	8-18	436	320	44
100	350	230	190	160	150	24-3	4.5	8-23	480	360	60
125	400	270	220	188	176	28-3	4.5	8-25	558	400	89
150	480	300	250	218	204	30-3	4.5	8-25	611	400	98
200	600	375	320	282	260	38-3	4.5	12-30	720	400	190
250	650	445	385	345	313	42-3	4.5	12-34	665	500	265
300	750	510	450	408	364	46-4	4.5	16-34	720	550	430
350	850	570	510	465	422	52-4	5	16-34	860	600	715
400	950	655	585	535	474	58-4	5	16-41	1010	700	900
450	1050	680	610	560	524	60-4	5	20-41	1190	800	1440
500	1150	755	670	612	576	62-4	5	20-48	1260	900	2660

注：电动或齿轮传动，价格另计。  
Note: Electric or gear drive, the price extra.

**国标法兰截止阀**  
GB Flange globe valve

**PN63 国标法兰截止阀**

JB/T79

公称通径 DN(mm)	尺寸Size(mm)											重量 Weight(Kg)
	L	D	D1	D2	D6	D8	b-f	f2	Z-Φd	H	D0	
10	170	100	70	50	35	/	18-2	4	4-14	198	120	5.7
15	170	105	75	55	40	/	18-2	4	4-14	195	140	10
20	190	125	90	68	51	/	20-2	4	4-18	228	160	13
25	210	135	100	78	58	/	22-2	4	4-18	275	180	14.5
32	230	150	110	82	66	/	24-2	4	4-23	325	200	19
40	260	165	125	95	76	/	24-3	4	4-23	360	240	25
50	300	175	135	105	88	/	26-3	4	4-23	410	280	35
65	340	200	160	130	110	/	28-3	4	8-23	450	320	48
80	380	210	170	140	121	/	30-3	4	8-23	485	360	56
100	430	250	200	168	150	/	32-3	4.5	8-25	537	400	70
125	500	295	240	202	176	/	36-3	4.5	8-30	631	400	100
150	550	340	280	240	204	/	38-3	4.5	8-34	646	450	152
200	650	405	345	300	260	/	44-3	4.5	12-34	813	500	283
250	775	470	400	352	313	/	48-3	4.5	12-41	985	550	462
300	900	530	460	412	364	/	54-4	4.5	16-41	1214	600	885
350	1025	595	525	475	422	/	60-4	5	16-41	1432	650	1554
400	1150	670	585	525	474	/	66-4	5	16-48	1650	700	1850

**PN100 国标法兰截止阀**

JB/T79

10	170	100	70	50	/	35	20-2	/	4-14	198	120	6
15	170	105	75	55	/	45	20-2	/	4-14	202	140	11
20	190	125	90	68	/	50	22-2	/	4-18	228	160	13.2
25	210	135	100	78	/	65	24-2	/	4-18	250	180	14
32	230	150	110	82	/	75	24-2	/	4-23	326	220	15
40	260	165	125	95	/	85	26-3	/	4-23	359	240	29
50	300	195	145	112	/	110	28-3	/	4-25	414	280	49
65	340	220	170	138	/	115	32-3	/	8-25	434	320	65
80	380	230	180	148	/	145	34-3	/	8-25	547	400	95
100	430	265	210	172	/	145	38-3	/	8-30	621	450	115
125	500	310	250	210	/	175	42-3	/	8-34	732	450	149
150	550	350	290	250	/	205	46-3	/	12-34	840	500	310
200	650	430	360	312	/	265	54-3	/	12-41	925	550	590
250	775	500	430	382	/	320	60-3	/	12-41	1155	600	991
300	900	585	500	442	/	375	70-4	/	16-48	1340	700	1361

**PN160 国标法兰截止阀**

JB/T79

15	170	100	75	52	/	35	24-2	/	4-18	148	140	12.2
20	190	130	90	62	/	45	26-2	/	4-23	156	160	15
25	210	140	100	72	/	50	28-3	/	4-23	125	180	17
32	230	165	115	85	/	65	30-2	/	4-25	200	200	21.4
40	260	175	125	92	/	75	32-3	/	4-27	231	240	32
50	300	215	165	132	/	95	36-3	/	8-25	262	250	52
65	340	245	190	152	/	110	44-3	/	8-30	303	320	69
80	380	260	205	168	/	130	46-3	/	8-30	341	400	98
100	430	300	240	200	/	160	48-3	/	8-34	485	450	119
150	550	390	318	270	/	190	74-3	/	12-41	630	550	446
200	650	480	400	345	/	205	78-3	/	12-48	775	700	930

Note: Electric or gear drive, the price extra.

## 美标法兰截止阀 ANSI Flange globe valve

### J41 W -150Lb

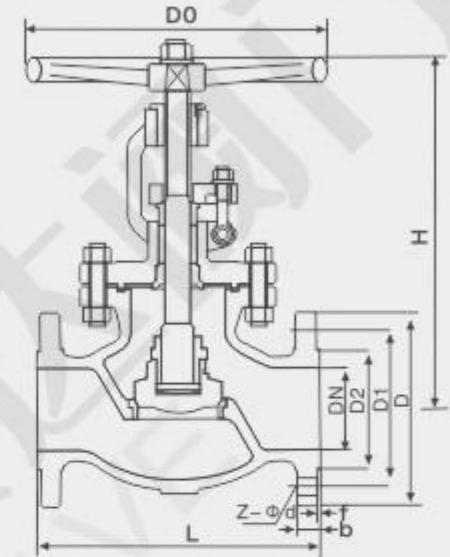
#### 产品概述 Products overview

美标截止阀主要有API和ASME标准，ASTM，ASTM是材料标准，不是阀门本身的标准；按美国标准设计，制造，生产、检测的截止阀叫做美标截止阀。

American standard cut-off valve mainly include API and ASME standard, ASTM, ASTM material standard, not the standard valve itself; According to the American standard design, manufacturing, production, testing, the cut-off valve American standard cut-off valve.

#### 产品优点 Product advantages

1. 流体阻力小，其阻力系数与同长度的管段相等。
  2. 结构简单、体积小、重量轻。
  3. 紧密可靠，目前闸阀的密封面材料广泛使用塑料，密封性好，在真空系统中也已广泛使用。
  4. 操作方便，开闭迅速，从全开到全关只要旋转90°，便于远距离的控制。
  5. 维修方便结构简单，密封圈一般都是活动的，拆卸更换都比较方便。
  6. 在全开或全闭时，阀体和阀座的密封面与介质隔离，介质通过时，不会引起阀门密封面的侵蚀。
  7. 适用范围广，口径从小到几毫米，大到几米，从高真空至高压力都可应用，球旋转90度时，在进、出口处应全部呈现球面，从而截断流动。
1. The fluid resistance is small, its resistance coefficient with section of equal length.
  2. Simple structure, small volume, light weight.
  3. Compact and reliable, the gate valve sealing surface of materials widely used plastic, sealing is good, have been widely used in the vacuum system.
  4. Easy to operate, open and close quickly, from open to close just rotate 90°, is advantageous for the remote control.
  5. Easy maintenance structure is simple, sealing ring, which generally remove replacement is more convenient.
  6. In the fully open or fully closed, the valve body and seat sealing surface and the dielectric isolation, medium through, does not cause the valve sealing surface erosion.
  7. Applicable scope is wide, size from small to several millimeters, big to a few meters, from high vacuum to high pressure can be applied, the ball rotate 90 degrees, in the inlet and outlet should be completely present spherical, thereby cutting flow.



#### 标准 Standard

设计与制造 Design and manufacturing	结构长度 Structure length	法兰尺寸 Flange size	对焊连接尺寸 Butt welding connection size	压力-温度 Pressure Temperature	试验-检验 Test Inspection
ANSI B16.34 BS1873	ANSI B16.10	ANSI B16.5	ANSI B16.25	ANSI B16.34	API 598

#### 压力试验 Pressure test

公称压力PN(Lb) Nominal pressure	强度试验 Strength test		水密封试验 Water sealing test		气密封试验 Air tightness test	
	MPa	Lbf/in2	MPa	Lbf/in2	MPa	Lbf/in2
150	3.0	430	2.2	315	0.4-0.7	60-100
300	7.7	1110	5.7	815		
600	15.3	2220	11.3	1630		
900	23.0	3330	17.0	2445		
1500	38.4	5560	28.2	4080		
2500	64.0	9255	47.0	6790		

#### 主要零件材料及性能 Major parts material and the performance

体盖 Operculum corporis	阀杆 Valve stem	密封面 Sealing surface	垫片(环) Spacer (Ring)	填料 Filler	工作温度 Operation temperature	适用介质 Applicable Medium
WCB	2Cr13	CF8/13Cr/STL 本体材料/尼龙 CF8/13Cr/STL body material/nylon	增强柔性石墨13Cr/柔性石墨SFB-2 08软钢F304 F316 F304L F316L Reinforced flexible graphite 13Cr/ flexible graphite SFB-208 soft steel F304F316F304LF316L	柔性石墨 增强柔性石墨 Flexible graphite Reinforced flexible graphite	≤425	水蒸汽油品 Water vapor oil
WC1	38CrMoAl 25Cr2MoV				≤425	
WC6					≤540	
WC9					≤570	
C5 C12					≤540	
CF8					F304	≤200
CF8M	F316					
CF3	F304L					
CF3M	F316L					

注：电动或齿轮传动，价格另计。

Note: Electric or gear transmission, price to be calculated separately.

**美标法兰截止阀**  
ANSI Flange globe valve

**Class 150LB** 美标法兰截止阀

DN		150Lb 凸面法兰 (RF) 主要尺寸 (mm)								重量 Weight(Kg)
mm	in	L	D	D1	D2	b	N-Φd	H	D0	
15	1/2	108	89	60.5	35	11.2	4-16	241	100	6.9
20	3/4	117	98	69.9	43	12.7	4-16	241	100	9.8
25	1	127	108	79.2	51	14.2	4-16	242	125	13.5
32	1 1/4	140	117	89	63	16	4-16	280	160	19.5
40	1 1/2	165	127	98.6	73	17.5	4-16	286	160	28.5
50	2	203	152	120.7	92	19	4-19	368	200	18
65	2 1/2	216	178	139.7	105	22.4	4-19	387	200	30
80	3	241	190	152.4	127	24	4-19	411	250	41
100	4	292	229	190.5	157	24	4-19	454	250	64
125	5	356	254	216.0	186	24	8-22.5	455	350	86
150	6	406	279	241.3	216	25.4	8-22.5	541	350	113
200	8	495	343	298.5	270	28.4	8-22.5	651	450	178
250	10	622	406	362.0	324	30.2	12-25.4	800	450	270
300	12	698	483	431.8	381	32	12-25.4	1231	600	350
350	14	787	533	476.3	413	35	12-29	1450	600	460
400	16	914	597	539.8	470	36.6	26-29	1645	600	590

**Class 300LB** 美标法兰截止阀

DN		300Lb 凸面法兰 (RF) 主要尺寸 (mm)								重量 Weight(Kg)
mm	in	L	D	D1	D2	B	N-Φd	H	D0	
15	1/2	152	95	66.5	35	14.2	4-16	241	140	7.7
20	3/4	178	117	82.5	43	16	4-19	241	140	11.3
25	1	203	123	89	51	17.5	4-19	283	160	16.8
32	1 1/4	216	133	98.5	63	19	4-19	320	200	21.2
40	1 1/2	229	155	114.3	73	20.6	4-22.5	322	200	32.6
50	2	267	165	127	92	22.4	8-19	399	200	25
65	2 1/2	292	190	149.4	105	25.4	8-22.5	438	250	30
80	3	318	210	168.1	127	28.4	8-22.5	464	280	35
100	4	356	254	200.2	157	31.8	8-22.5	565	350	56
125	5	400	279	235	186	35	8-22.5	614	350	96
150	6	444	318	269.7	216	36.6	12-25.4	717	400	120
200	8	559	381	330.2	270	41.2	12-25.4	930	500	212
250	10	622	444	387.4	324	47.8	16-28.5	1012	550	330
300	12	711	521	450.8	381	50.8	16-32	1231	600	472
350	14	762	584	514.4	413	54	20-32	1450	600	715
400	16	864	648	571.5	470	57.2	20-35	1645	600	920

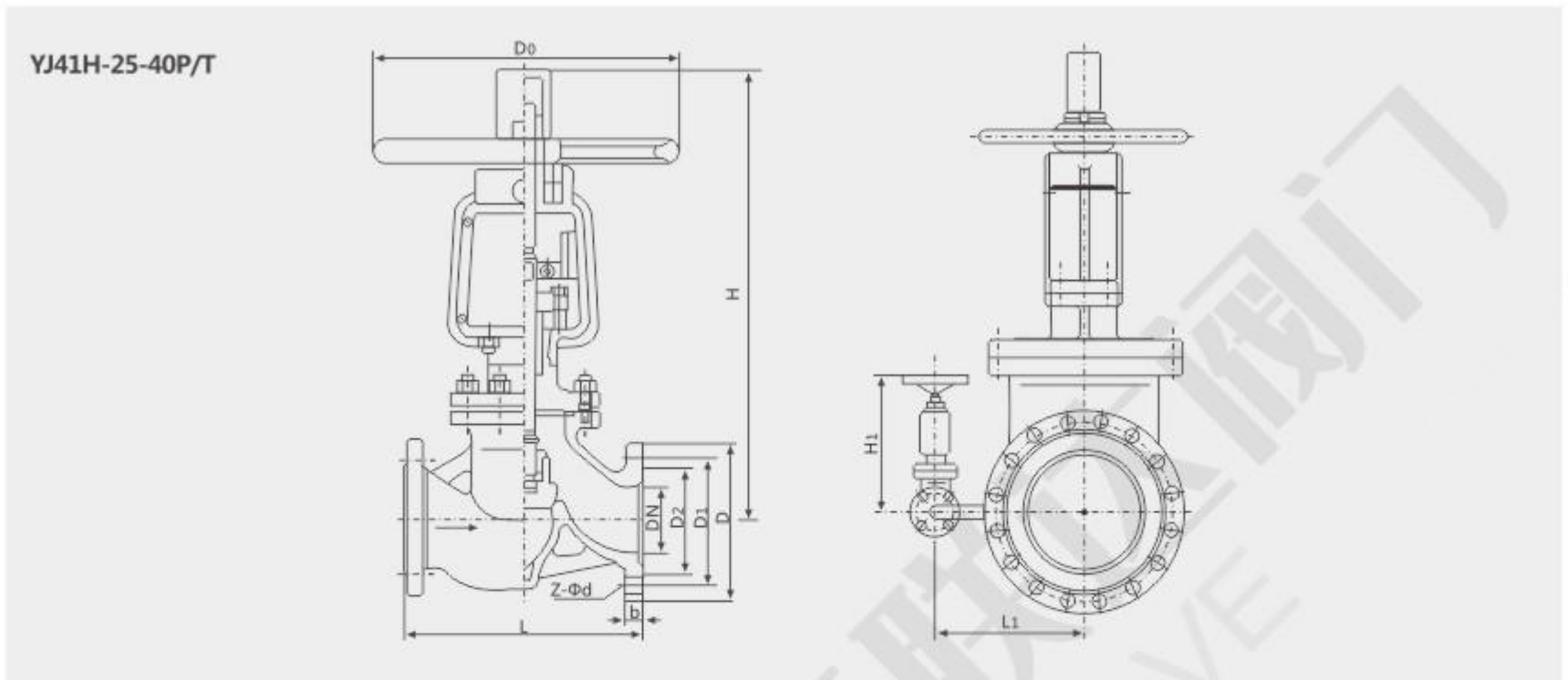
**Class 600LB** 美标法兰截止阀

DN		600Lb 凸面法兰 (RF) 主要尺寸 (mm)								重量 Weight(Kg)
mm	in	L	D	D1	D2	b	N-Φd	H	D0	
15	1/2	165	95	66.5	35	14.5	4-16	285	100	7.8
20	3/4	190	117	82.5	43	16	4-19	285	125	12.5
25	1	216	124	89	51	17.5	4-19	313	160	17.5
32	1 1/4	229	133	98.5	63	21	4-19	328	160	23.5
40	1 1/2	241	156	114.3	73	22.5	4-22.5	365	180	38.5
50	2	292	165	127	92	33	8-19	444	200	35
65	2 1/2	330	190	149.4	105	36	8-22.5	483	250	50
80	3	356	210	168.1	127	39	8-22.5	533	250	60
100	4	432	273	216	157	45	8-25.4	622	350	110
125	5	508	330	266.7	186	52	8-28.5	750	350	200
150	6	559	356	292.1	216	55	12-28.5	800	450	230
200	8	660	419	349.3	270	63	12-32	927	500	410
250	10	787	508	431.8	324	71	16-35	1257	600	625
300	12	838	559	489	381	74	20-35	1468	680	860

氧气专用截止阀  
Oxygen special globe valve

D

截止阀系列  
Globe Valve Series



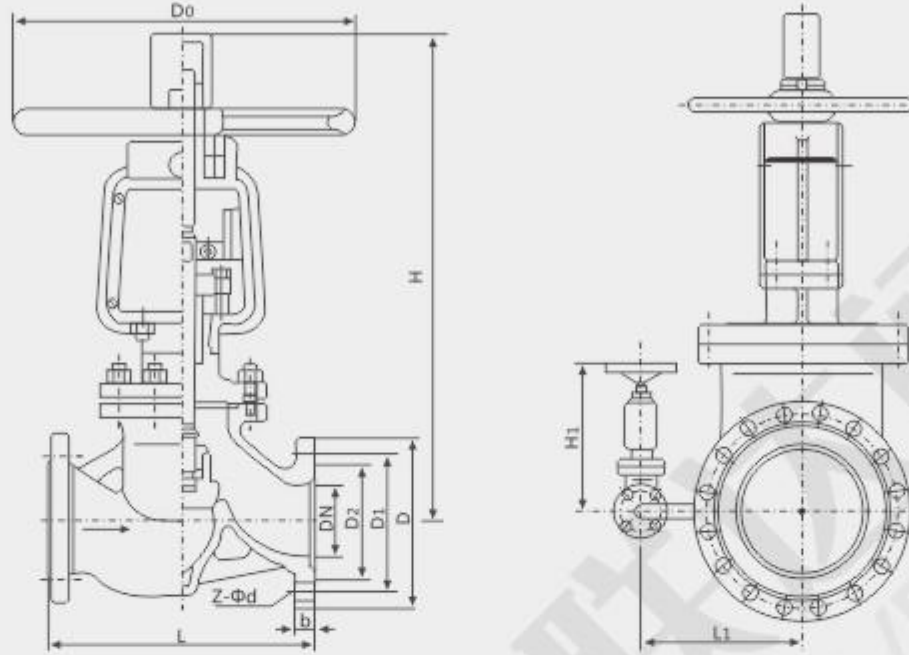
PN25 氧气专用截止阀

JB/T79  
单位Unit:mm

公称通径 DN	主要外形尺寸和连接尺寸 ( mm ) Main External and Connection Dimension										重量 Weight(Kg)
	L	D	D1	D2	b	Z-Φd	Do	H	H1	L1	
15	130	95	65	45	16	4-14	100	190	-	-	5
20	150	105	75	55	16	4-14	100	213	-	-	6.5
25	160	115	85	65	16	4-14	125	236	-	-	7
32	180	135	100	78	18	4-18	182	312	-	-	13.5
40	200	145	115	85	18	4-18	160	328	-	-	16
50	230	160	125	100	20	4-18	320	450	-	-	32
65	290	180	145	120	22	8-18	360	530	-	-	46
80	310	195	160	135	22	8-18	400	560	-	-	60
100	350	230	190	160	24	8-23	450	618	-	-	80
125	400	270	220	188	28	8-25	450	675	-	-	107
150	480	300	250	218	30	8-25	560	743	-	-	134
200	600	360	310	278	34	12-25	640	850	-	-	268.7
250	650	425	370	332	36	12-30	720	975	340	330	449
300	750	485	430	390	40	16-30	800	1115	340	415	663
400	950	610	550	505	48	16-34	900	1330	340	465	1170

**氧气专用截止阀**  
Oxygen special globe valve

YJ41H-25-40P/T



**PN40** 氧气专用截止阀

JB/T79  
单位Unit:mm

公称通径 DN	主要外形尺寸和连接尺寸 ( mm ) Main External and Connection Dimension											重量 Weight(Kg)
	L	D	D1	D2	D6	b	Z-Φd	D0	H	H1	L1	
15	130	95	65	45	40	16	4-14	100	202	-	-	5
20	150	105	75	55	51	16	4-14	100	225	-	-	6.5
25	160	115	85	65	58	16	4-14	125	236	-	-	7
32	180	135	100	78	66	18	4-18	180	312	-	-	13.5
40	200	145	110	85	76	18	4-18	160	328	-	-	16
50	230	160	125	100	88	20	4-18	320	450	-	-	32
65	290	180	145	120	110	22	8-18	360	530	-	-	45
80	310	195	160	135	121	22	8-18	400	560	-	-	60
100	350	230	190	160	150	24	8-23	450	618	-	-	80
125	400	270	220	188	176	28	8-25	450	675	-	-	105
150	480	300	250	218	204	30	8-25	560	743	-	-	134
200	600	375	320	282	260	38	12-30	640	850	-	-	266
250	650	445	385	345	313	42	12-34	720	975	380	340	491
300	750	510	450	408	364	46	16-34	800	1115	415	340	705
400	950	655	585	535	474	58	16-41	900	1425	465	340	1234