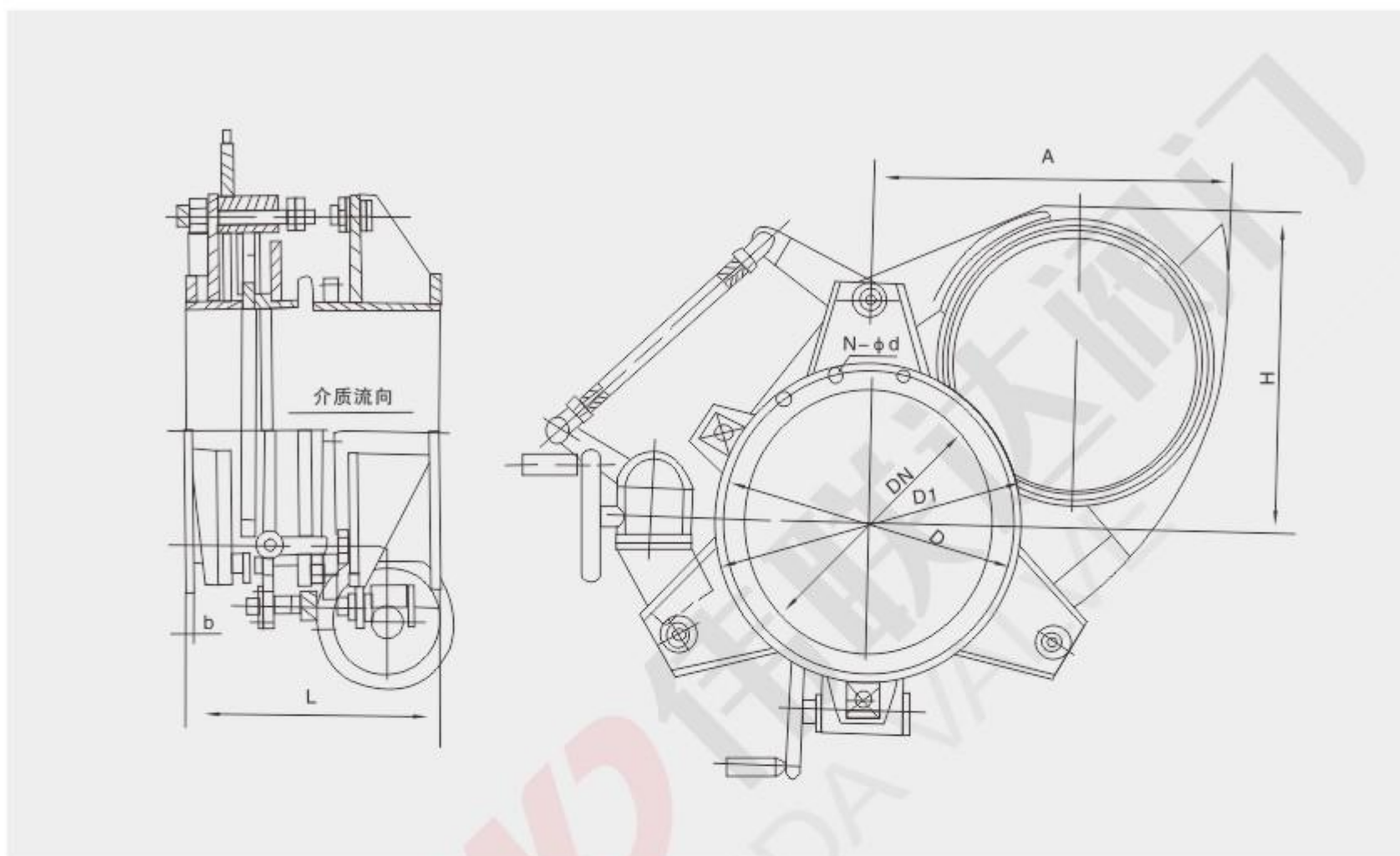


**METALLURGICAL
VALVE SERIES**
冶金阀门系列

F343CX-1.5型手轮式扇形盲板阀 F343CX-1.5 Handwheel Sector Blind Valve



结构特点

本阀在F43CX-1.5型手动式扇形盲板阀的基础上增加了两个蜗轮传动箱。其中一个通过齿轮、齿圈和丝杠螺旋付驱动左右阀体完成松开和夹紧动作。另一传动箱通过丝杠螺旋付驱动阀板完成阀板的翻转动作,从而实现扇形盲板阀的启闭。

本阀为短结构系列,阀体带有伸缩器。分别转动两个手轮,完成操作动作。

安装时请参照图示确定安装方向。

Structural characteristics

This valve adds two worm gear transmission boxes on top of the F43CX-1.5 manual sector blind plate valve. One of them drives the left and right valve bodies through gears, gear rings, and screw pairs to complete the loosening and clamping actions. The other transmission box drives the valve plate through a screw pair to complete the flipping action of the valve plate, thereby achieving the opening and closing of the fan-shaped blind valve.

This valve is a short structure series, and the valve body is equipped with an expansion joint. Rotate both handwheels separately to complete the operation.

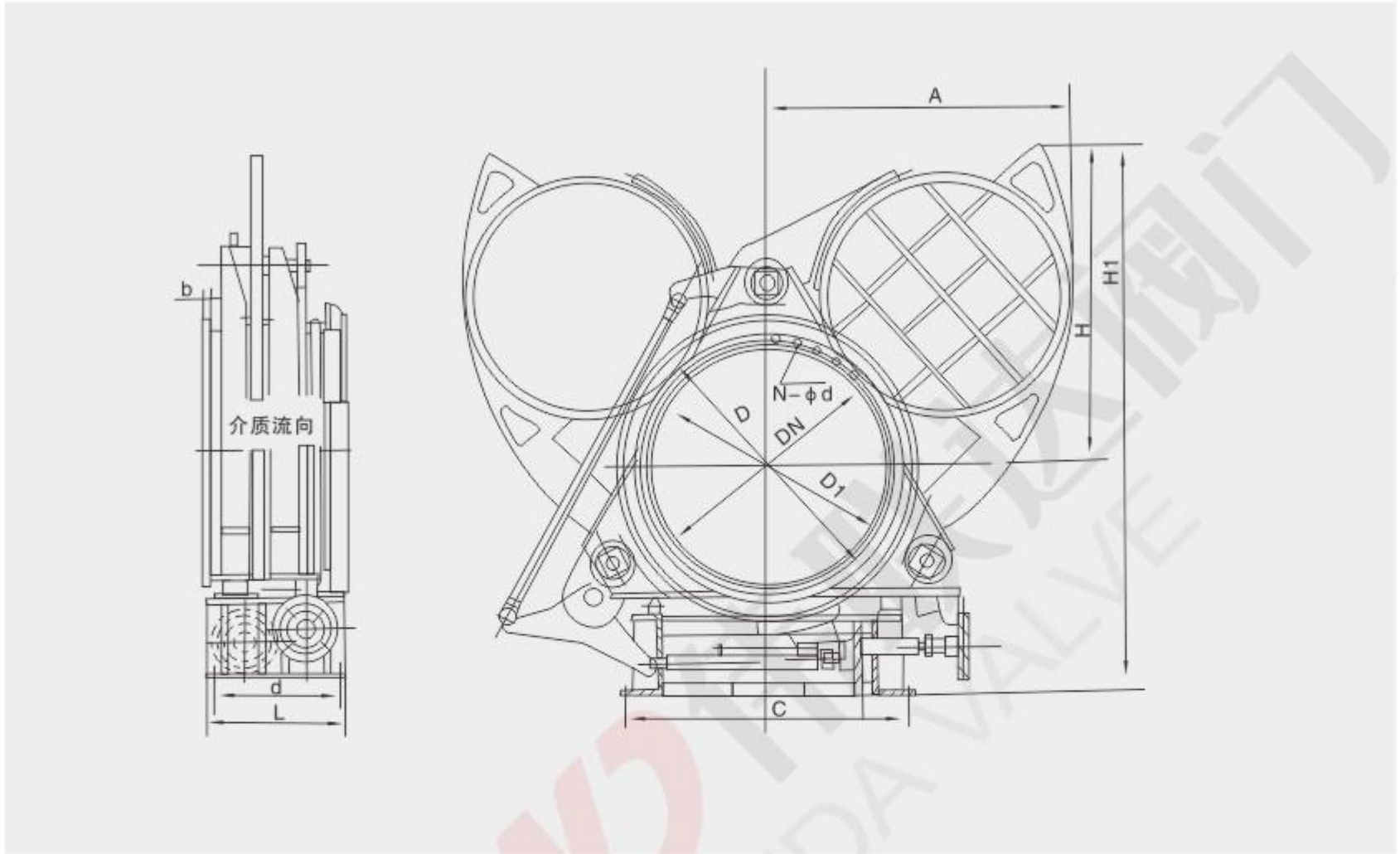
Please refer to the diagram to determine the installation direction during installation.

主要结构尺寸 Main structural dimensions

单位: mm

DN	L	D	D ₁	H	A	b	N-φd	重量 (kg)
600	600	755	705	880	840	28	20-26	450
700	600	860	810	900	1050	28	24-26	540

F3LT43CX-1.5型链式扇形盲板阀
F3LT43CX-1.5 chain sector blind plate valve



结构特点

F3LT43CX-1.5, DN800-1400型链式扇形盲板阀是F43CX-1.5型的基础上设置两套由环链驱动的螺旋推杆。用手拉动环链，通过丝杆螺旋付及连杆装置驱动阀体及阀板完成松开、夹紧动作和阀板翻转动作。

本阀可以在离管道一定距离的位置进行操作,高空管道可在地面操作,提高了安全性。

本阀为长结构系列,阀体带有伸缩器。安装时请参照图示确定安装方向。

Structural characteristics

The F3LT43CX-1.5 and DN800-1400 chain sector blind plate valves are based on the F43CX-1.5 model and are equipped with two sets of spiral push rods driven by ring chains. Pull the chain by hand, and drive the valve body and valve plate through the screw and connecting rod device to complete the loosening, clamping, and valve plate flipping actions.

This valve can be operated at a certain distance from the pipeline, and high-altitude pipelines can be operated on the ground, improving safety.

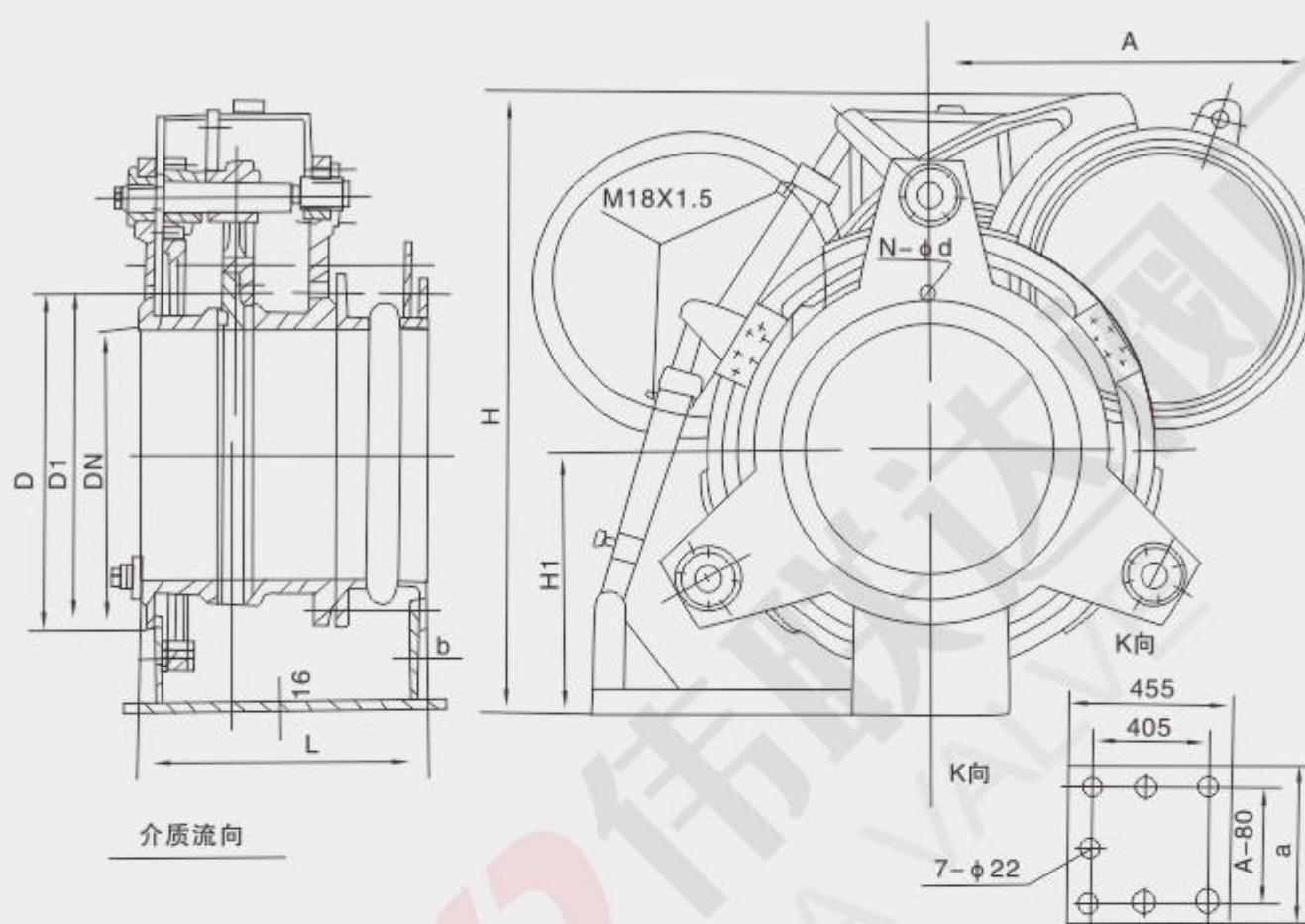
This valve is a long structure series, and the valve body is equipped with an expansion joint. Please refer to the diagram to determine the installation direction during installation.

主要结构尺寸 Main structural dimensions

单位: mm

DN	L	D	D ₁	D ₂	A	H	H ₁	b	N-φd	重量 (kg)
800	800	975	920	796	1129	2100	1125	35	24-30	1500
900	800	1075	1020	896	1242	2355	1270	35	24-30	1800
1000	800	1175	1120	996	1375	2540	1400	35	28-30	2100
1100	800	1275	1220	1096	1510	2825	1535	35	28-30	2300
1200	800	1375	1320	1196	1625	2921	1681	35	32-30	2600
1300	800	1475	1420	1296	1749	3060	1770	35	32-30	3000
1400	850	1575	1520	1396	1856	3260	1925	35	36-30	4170

F743X-1型液动式扇形盲板阀 F743X-1 hydraulic sector blind valve



F743X-1型液动式扇形盲板阀 DN400-500

结构特点及用途

液动式扇形盲板阀主要由左阀体、右阀体、齿轮、齿圈、丝杆付、阀板、密封圈等零件组成。并由底座、支撑柱构成一个刚性结构体。

阀门中设有启闭油缸和翻版油缸。启闭油缸通过齿圈、齿轮和丝杆螺旋付驱动左、右阀体完成松开、夹紧动作,翻版油缸驱动阀板完成开闭动作。橡胶密封圈镶嵌在阀板上,密封性能好、更换方便。

本阀可以单台远距离控制,也可以多台联网远距离控制,非正常情况下还可以利用阀门本身的机械装置手动操作。

本阀有正装结构(型号:F743X-^{1.0}_{0.5}),也有倒装结构(型号:FD743X-0.5)。安装时请参照图中所示确定安装方向。

液动扇形盲板阀分电液控和全液两种,电液控靠防爆电气行程开关发生位置电信号控制电磁阀动作。全液控利用二位二通阀做限位元件,通过液压油接通压力继电器产生电信号控制电磁阀动作。全液控方式压力继电器安装在液压站上,远离阀门,因此防爆性能更好。

Structural characteristics and usage

The hydraulic sector blind valve mainly consists of left valve body, right valve body, gear, gear ring, screw pair, valve plate, sealing ring and other parts. And it is composed of a base and supporting columns to form a rigid structure.

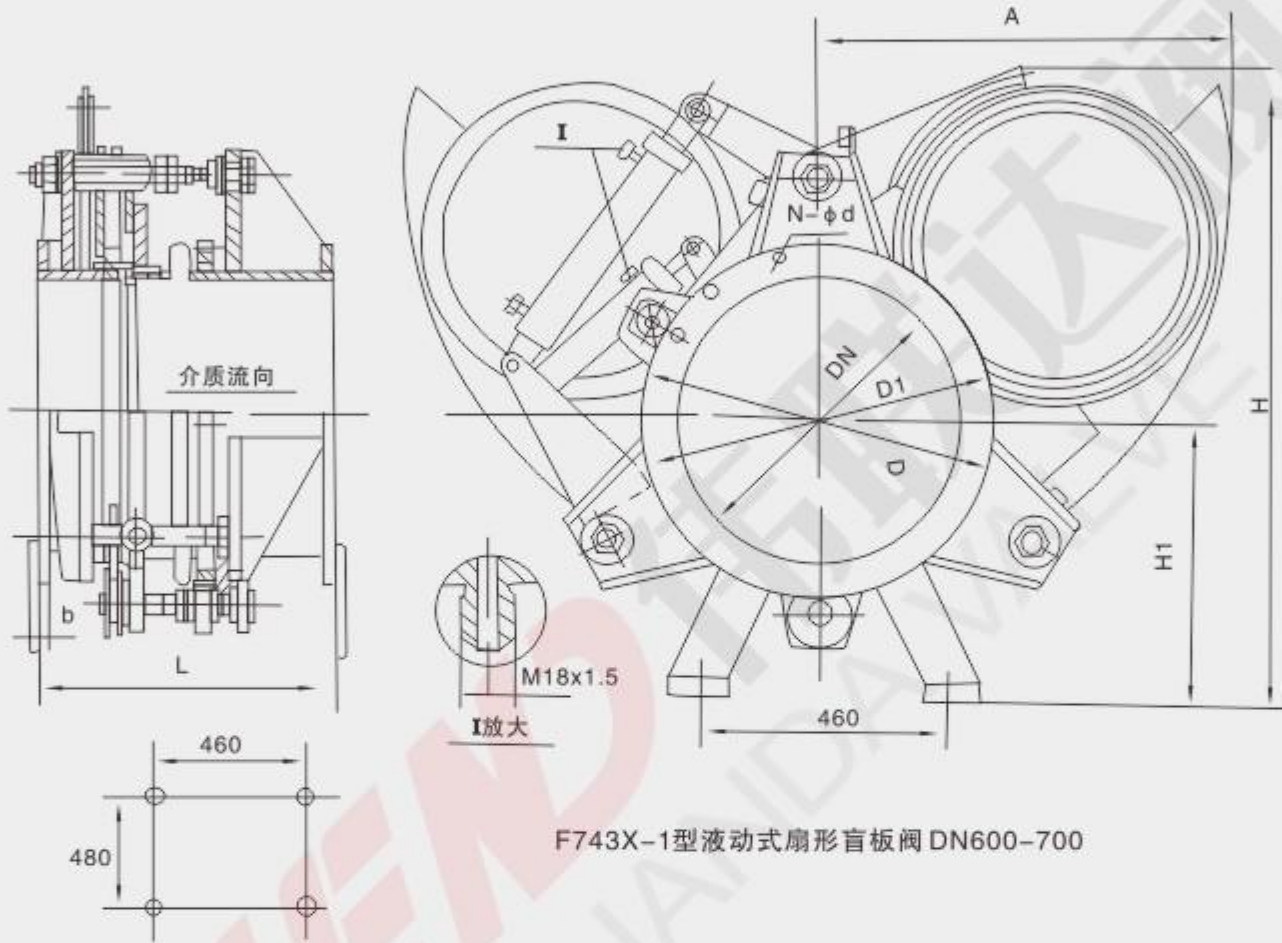
The valve is equipped with an opening and closing oil cylinder and a flipping oil cylinder. The opening and closing oil cylinder is driven to the left through a gear ring, gear, and screw pair. The right valve body completes the loosening and clamping actions, and the flipping oil cylinder drives the valve plate to complete the opening and closing actions. The rubber sealing ring is embedded on the valve plate; with good sealing performance and convenient replacement.

This valve can be remotely controlled by a single unit or connected to multiple units. In abnormal situations, it can also be manually operated using the mechanical device of the valve itself.

This valve has a front mounted structure (model: F743X-^{1.0}_{0.5}) and an inverted structure (model: FD743X-0.5). Please refer to the diagram to determine the installation direction during installation.

The hydraulic sector blind valve is divided into two types: electro-hydraulic control and full hydraulic control. The electro-hydraulic control relies on the explosion-proof electrical travel switch to generate position electrical signals to control the action of the solenoid valve. The full hydraulic control uses a two position two way valve as a limiting element, and generates an electrical signal to control the action of the solenoid valve by connecting the hydraulic oil to the pressure relay. The fully hydraulic control pressure relay is installed on the hydraulic station, away from the valve, so its explosion-proof performance is better.

F743X-1型液动式扇形盲板阀
F743X-1 hydraulic sector blind valve



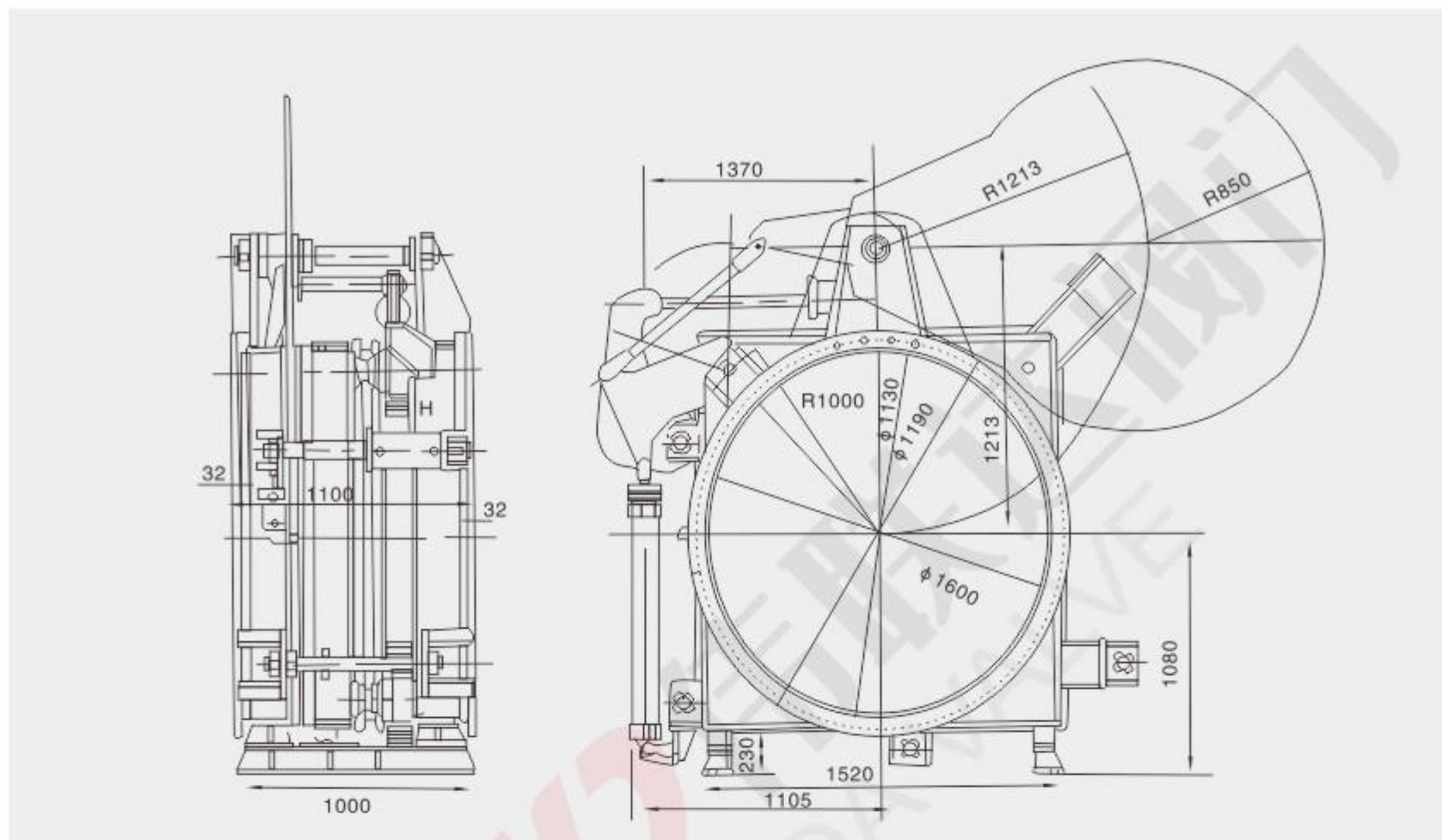
主要结构尺寸 Main structural dimensions

单位: mm

DN	L	D	D ₁	A	H	H ₁	a	b	N-φd	重量 (kg)
400	450	540	495	600	920	400	410	16	16-22	250
450	500	595	550	658	995	427	460	16	16-22	300
500	500	645	600	712	1102	452	460	20	20-22	350
600	600	755	705	874	1600	650	-	20	20-26	420
700	600	860	810	1004	1700	700	-	20	24-26	560

F744H-1.5型液动式扇形盲板阀DN1600

F744H-1.5 hydraulic sector blind valve DN1600



结构特点及用途

F744H-1.5型液动式扇形盲板阀为方形框架结构,四点压紧。较之F43型盲板阀其整体刚和耐压性能均有提高,比眼镜阀占地空间小。密封付为金属硬密封形式。由液动系统(压力油4~6MPa)通过齿轮、齿圈驱动左、右阀体完成松开,夹紧动作;通过连杆系统驱动阀板实现启闭。阀板不设通孔部分,阀门开通时左右阀体直接密合。

本阀适用于大口径管路,对有毒、有害、易燃气体介质做绝对切断使用。连接法兰尺寸:符合GB2555-81标准

Structural characteristics and usage

The F744H-1.5 hydraulic sector blind valve is a square frame structure with four point compression. Compared to the F43 blind valve, its overall stiffness and pressure resistance performance are improved, and it occupies less space than the eyeglass valve. The sealing pair is in the form of a hard metal seal. The hydraulic system (pressure oil 4~6MPa) drives the left and right valve bodies through gears and gear rings to complete the loosening and clamping action; The valve plate is driven to open and close through a linkage system. The valve plate does not have a through hole, and the left and right valve bodies are directly sealed when the valve is opened. This valve is suitable for large-diameter pipelines and is used to absolutely cut off toxic, harmful, and flammable gas media. Connecting flange size: in accordance with GB2555-81 standard

主要性能规范 Main performance specifications

公称压力MPa Nominal pressure	0.15
密封试验压力MPa Sealing test pressure	0.18
强度试验压力MPa Strength test pressure	0.225
适用温度℃ Applicable temperature	< 425
泄漏率mm ³ /S Leakage rate	0
适用介质 Applicable medium	含尘荒煤气、煤气、空气 Dusty raw gas, gas, air
连接法兰尺寸 Connecting flange size	符合GB2555-81标准 Complies with GB2555-81 standard

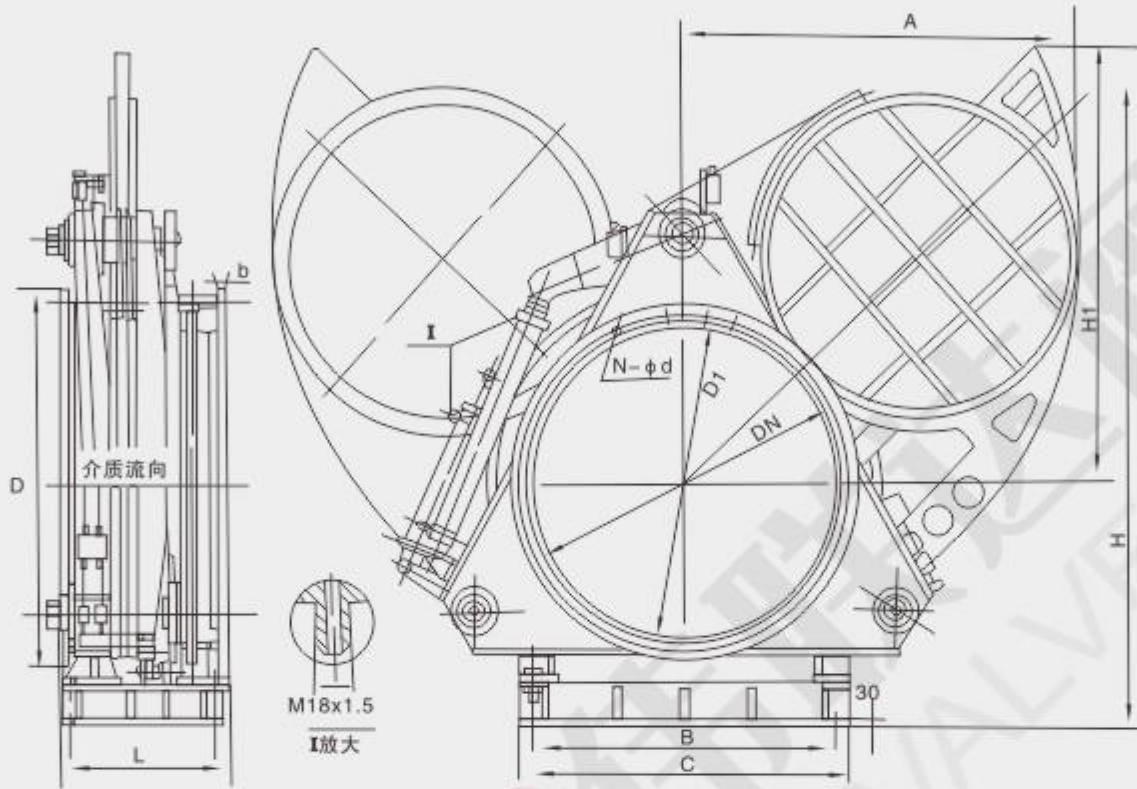
主要零件材料 Material for main parts

零件名称 Part name	材料 Material
阀体 Valve body	碳素钢 Carbon steel
阀板 Valve plate	碳素钢 Carbon steel
伸缩器 Telescopic device	奥氏体不锈钢 Austenitic stainless steel
连杆丝杠 Connecting rod screw	优质碳素钢 High quality carbon steel
齿轮、齿圈 Gear and ring gear	优质碳素钢 High quality carbon steel
螺母 Nut	铜合金 Copper alloy

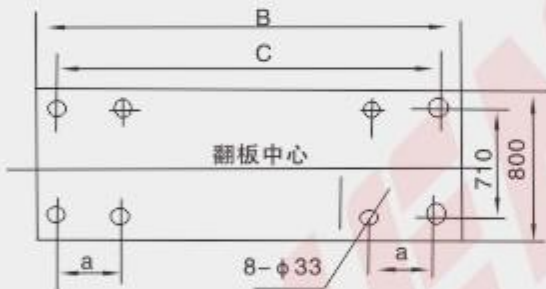
F743X-0.5型液动式扇形盲板阀DN800-2000

F743X-0.5 hydraulic sector blind valve DN800-2000

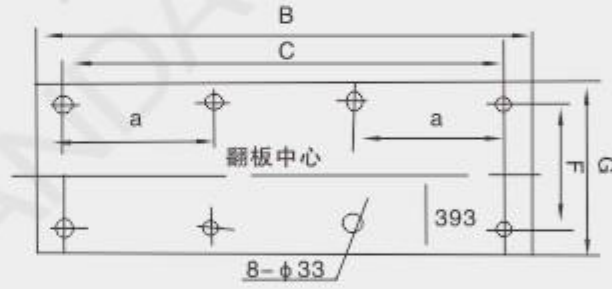
冶金阀门系列 Metallurgical Valve Series



DN800-2000液动式扇形盲板阀



DN800至1300底座尺寸
DN800-1000 E-276
DN1100-1300 E-301



DN800至DN2000底座平面尺寸
DN1400-1600 F=760 G=850
DN1800-2000 F=1010 G=1100

主要结构尺寸 Main structural dimensions

单位: mm

DN	L	D	D ₁	H	H ₁	A	B	C	a	b	N-φd	重量 (kg)
800	800	975	920	1860	1125	1129	1130	1050	210	35	24-30	1500
900	800	1075	1020	2055	1270	1242	1220	1140	210	35	24-30	1800
1000	800	1175	1120	2240	1400	1375	1320	1240	210	35	28-30	2100
1100	800	1275	1220	2425	1535	1510	1420	1340	210	35	28-30	2300
1200	800	1375	1320	2621	1680	1625	1490	1400	210	35	32-30	2600
1300	800	1475	1420	2760	1770	1749	1490	1400	210	35	32-33	3000
1400	850	1575	1520	2960	1925	1856	1490	1400	170	35	36-30	4170
1500	850	1690	1630	3105	2050	1976	1590	1500	170	35	36-30	4400
1600	850	1790	1730	3300	2160	2093	1690	1600	170	35	40-30	4750
1800	1100	1990	1930	3610	2370	2335	1890	1800	-	35	44-30	5750
2000	1100	2190	2130	3960	2620	2570	2090	2000	-	35	46-30	6750